



US008496660B2

(12) **United States Patent**  
**Carl et al.**

(10) **Patent No.:** **US 8,496,660 B2**  
(45) **Date of Patent:** **Jul. 30, 2013**

(54) **SYSTEMS, DEVICES AND APPARATUSES FOR BONY FIXATION AND DISK REPAIR AND REPLACEMENT AND METHODS RELATED THERETO**

(75) Inventors: **Allen Carl**, Slingerlands, NY (US); **Josef K. Winkler**, Wayland, MA (US); **Robert F. Beisel**, Robesonia, PA (US); **Spanky A. Raymond**, Uniontown, OH (US); **Daniel S. Savage**, Brecksville, OH (US); **Jason J. Gromek**, Chesterland, OH (US); **Carl M. Nilsson**, Cleveland Heights, OH (US)

(73) Assignee: **K2M, Inc.**, Leesburg, VA (US)

(\*) Notice: Subject to any disclaimer, the term of this patent is extended or adjusted under 35 U.S.C. 154(b) by 1112 days.

(21) Appl. No.: **12/087,281**

(22) PCT Filed: **Dec. 29, 2006**

(86) PCT No.: **PCT/US2006/049619**

§ 371 (c)(1),  
(2), (4) Date: **Dec. 3, 2008**

(87) PCT Pub. No.: **WO2007/079242**

PCT Pub. Date: **Jul. 12, 2007**

(65) **Prior Publication Data**

US 2009/0187191 A1 Jul. 23, 2009

**Related U.S. Application Data**

(63) Continuation-in-part of application No. 10/968,867, filed on Oct. 18, 2004.

(60) Provisional application No. 60/512,134, filed on Oct. 17, 2003, provisional application No. 60/754,843, filed on Dec. 29, 2005.

(51) **Int. Cl.**  
**A61B 17/00** (2006.01)

(52) **U.S. Cl.**  
USPC ..... **606/80; 606/79**

(58) **Field of Classification Search**  
USPC ..... 606/80, 79, 167, 170, 279, 180, 86 A, 606/86 R; 408/241 R, 127  
See application file for complete search history.

(56) **References Cited**

U.S. PATENT DOCUMENTS

3,426,364 A 2/1969 Lumb  
4,059,115 A 11/1977 Jumashev et al.

(Continued)

FOREIGN PATENT DOCUMENTS

WO WO-9111962 A1 8/1991  
WO WO-0067651 A1 11/2000  
WO WO-2005037082 A2 4/2005

OTHER PUBLICATIONS

Supplemental European Search Report and written opinion for corresponding European application No. EP06849057.2, issued Jul. 2, 2012.

(Continued)

*Primary Examiner* — Nicholas Woodall

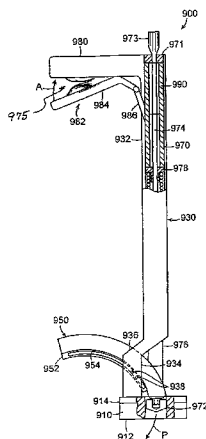
*Assistant Examiner* — Christine Nelson

(74) *Attorney, Agent, or Firm* — Edwards Wildman Palmer LLP

(57) **ABSTRACT**

Disclosed is an apparatus for forming an arcuate channel in one or more segments of a bone, bony structure or adjacent vertebrae of a spine. The apparatus includes, inter alia, a base member which is positioned proximate to the surgical site, a support arm extending proximally from the base member, an arcuate guide member and a drill assembly. The arcuate guide member is slidably mounted to the support arm. The drill assembly is operatively coupled to the support arm and includes a drill bit attached to the distal end of a flexible drive cable. The flexible drive cable extends axially along the support arm and is axially and rotationally movable with respect thereto. The drill bit is operatively coupled to an end of the arcuate guide member such that when the drill assembly is moved distally, the arcuate guide member slides with respect to the support arm and forces the drill bit to traverse an arcuate path.

**11 Claims, 52 Drawing Sheets**



U.S. PATENT DOCUMENTS

4,135,506 A 1/1979 Ulrich  
 4,335,715 A 6/1982 Kirkley  
 4,773,402 A 9/1988 Asher et al.  
 4,790,303 A 12/1988 Steffee  
 4,834,757 A 5/1989 Brantigan  
 4,907,577 A 3/1990 Wu  
 4,941,466 A 7/1990 Romano  
 5,352,224 A 10/1994 Westermann  
 5,355,588 A 10/1994 Brandenburg, Jr. et al.  
 5,415,661 A 5/1995 Holmes  
 5,423,826 A 6/1995 Coates et al.  
 5,425,772 A 6/1995 Brantigan  
 5,445,639 A 8/1995 Kuslich et al.  
 5,509,918 A 4/1996 Romano  
 5,527,316 A 6/1996 Stone et al.  
 5,545,164 A 8/1996 Howland  
 5,591,165 A 1/1997 Jackson  
 5,591,235 A 1/1997 Kuslich  
 5,700,265 A 12/1997 Romano  
 5,765,289 A 6/1998 Schulz et al.  
 D401,335 S 11/1998 Koros et al.  
 5,895,183 A 4/1999 McDaniel et al.  
 5,899,908 A 5/1999 Kuslich et al.  
 5,928,267 A 7/1999 Bonutti et al.  
 5,974,674 A 11/1999 Kelly  
 6,056,749 A 5/2000 Kuslich  
 6,241,769 B1 6/2001 Nicholson et al.  
 RE37,479 E 12/2001 Kulich  
 6,342,056 B1 1/2002 Mac-Thiong et al.  
 6,425,919 B1 7/2002 Lambrecht  
 6,558,390 B2 5/2003 Cragg

6,575,979 B1 6/2003 Cragg  
 6,592,559 B1 7/2003 Pakter et al.  
 6,607,530 B1\* 8/2003 Carl et al. .... 606/914  
 6,805,697 B1 10/2004 Helm et al.  
 6,923,811 B1 8/2005 Carl et al.  
 2002/0090999 A1 7/2002 Romano  
 2003/0220641 A1 11/2003 Thelen et al.  
 2004/0039384 A1 2/2004 Boehm et al.  
 2004/0059333 A1 3/2004 Carl et al.  
 2004/0092933 A1 5/2004 Shaolian et al.  
 2004/0092993 A1\* 5/2004 Teitelbaum et al. .... 606/180  
 2004/0158325 A1 8/2004 Errico et al.  
 2005/0177168 A1 8/2005 Brunnett et al.  
 2005/0203624 A1 9/2005 Serhan et al.  
 2005/0267481 A1 12/2005 Carl et al.

OTHER PUBLICATIONS

Supplemental European Search Report and written opinion for related European application No. EP07716784.9, issued dated Apr. 19, 2012.  
 International Search Report and International Preliminary Report on Patentability for International Application No. PCT/US 07/01402, dated Oct. 18, 2007 and corresponding to related European application No. EP07716784.9.  
 International Search Report and International Preliminary Report on Patentability for International Application No. PCT/US 06/49619, dated Oct. 17, 2007 and corresponding to related European application No. EP06849057.2.

\* cited by examiner

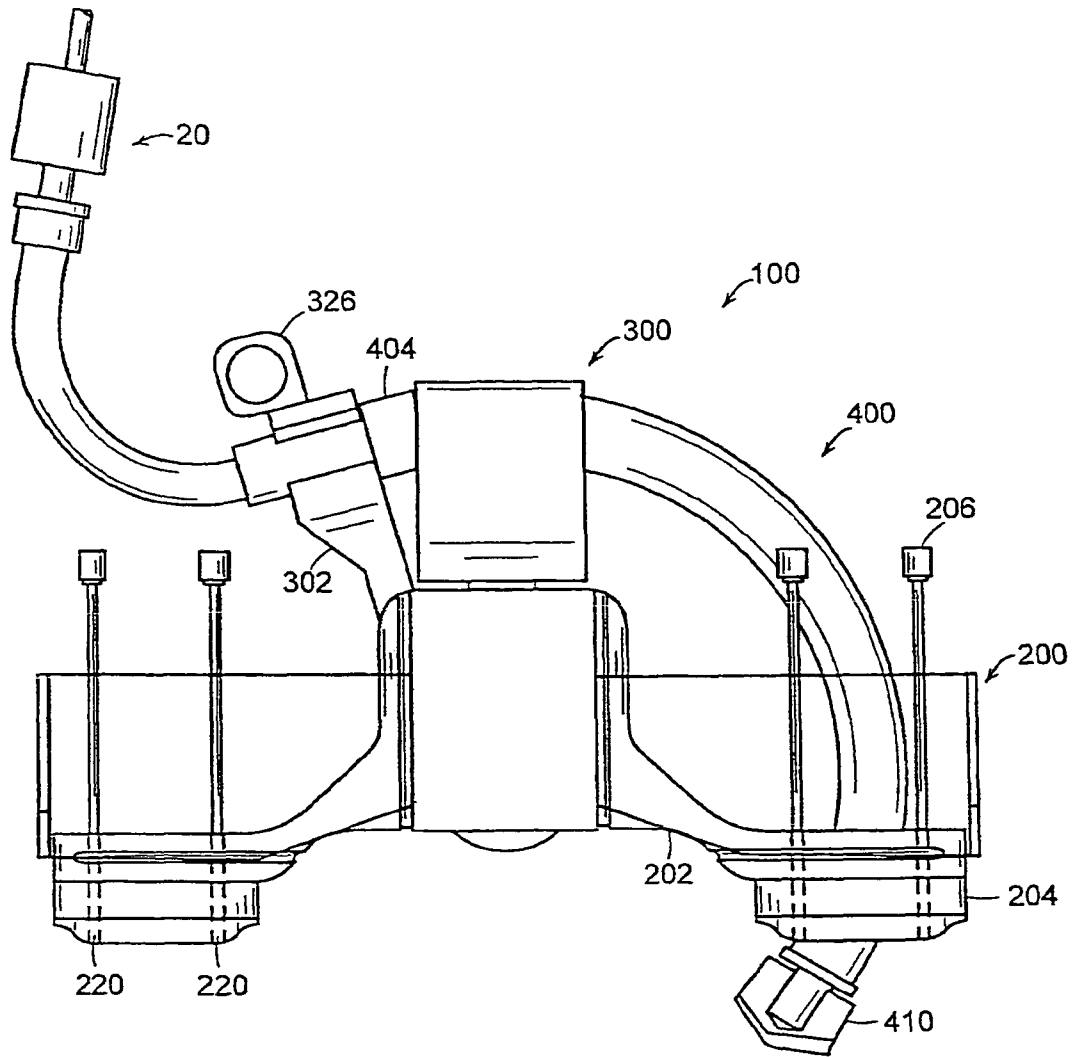
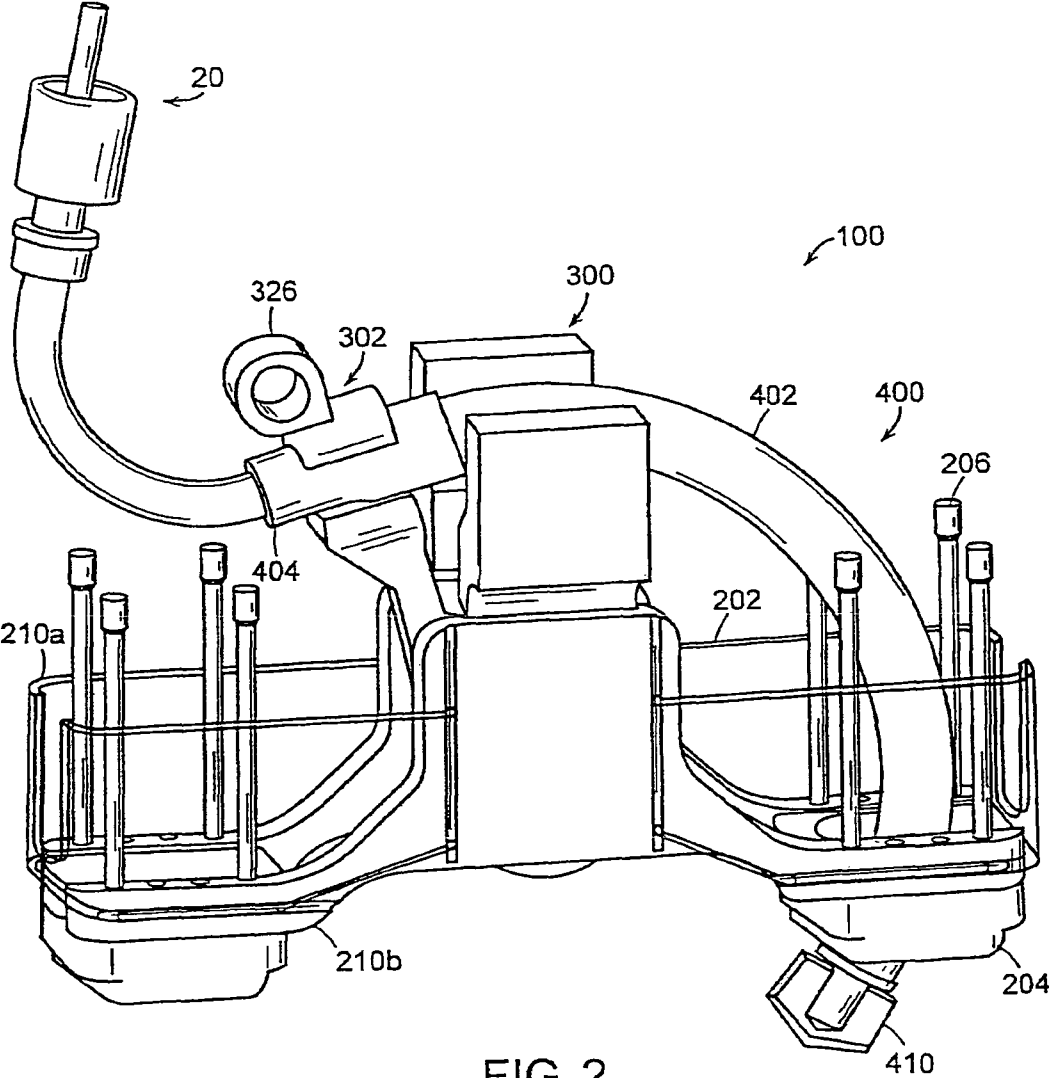
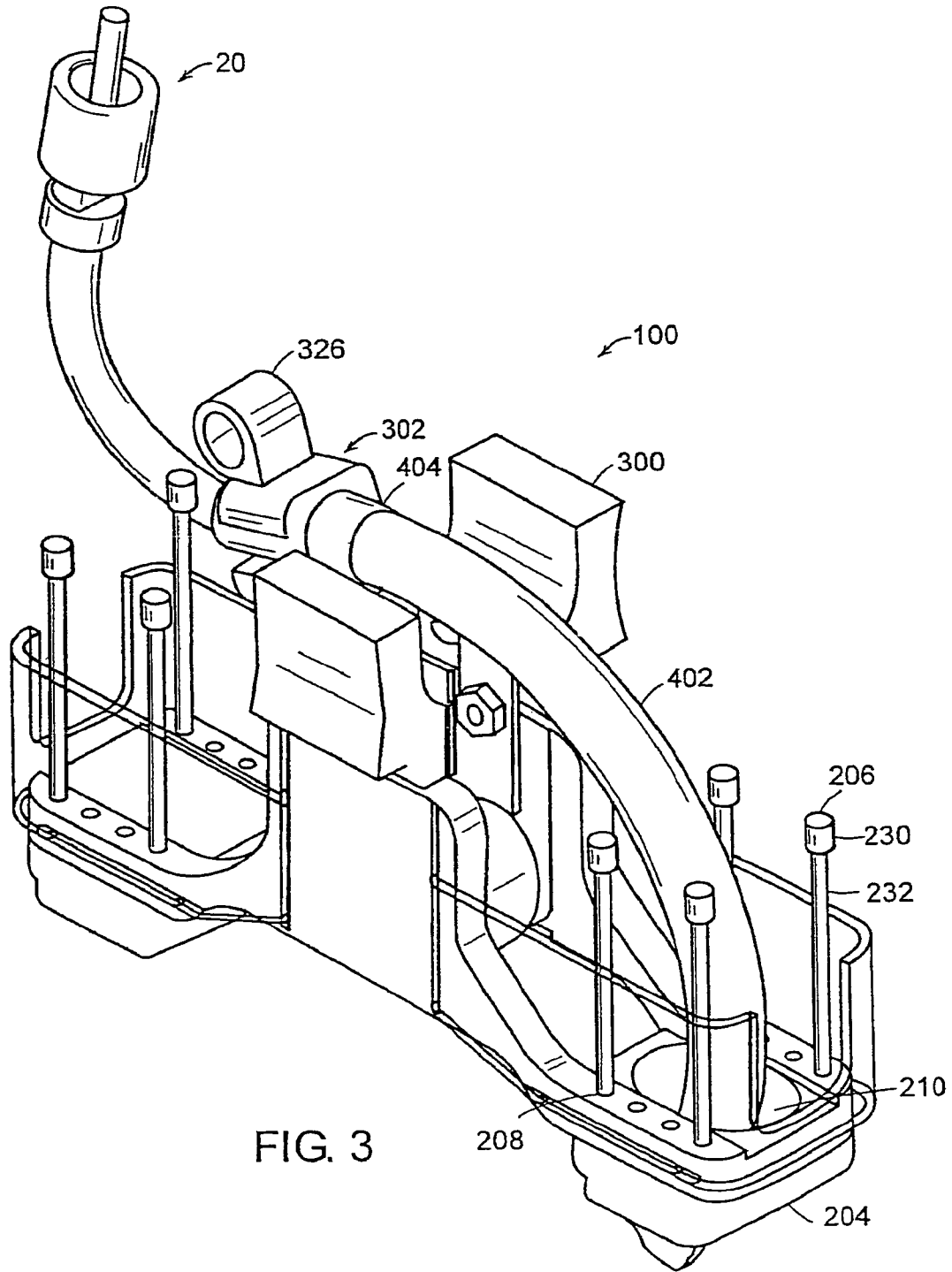


FIG. 1





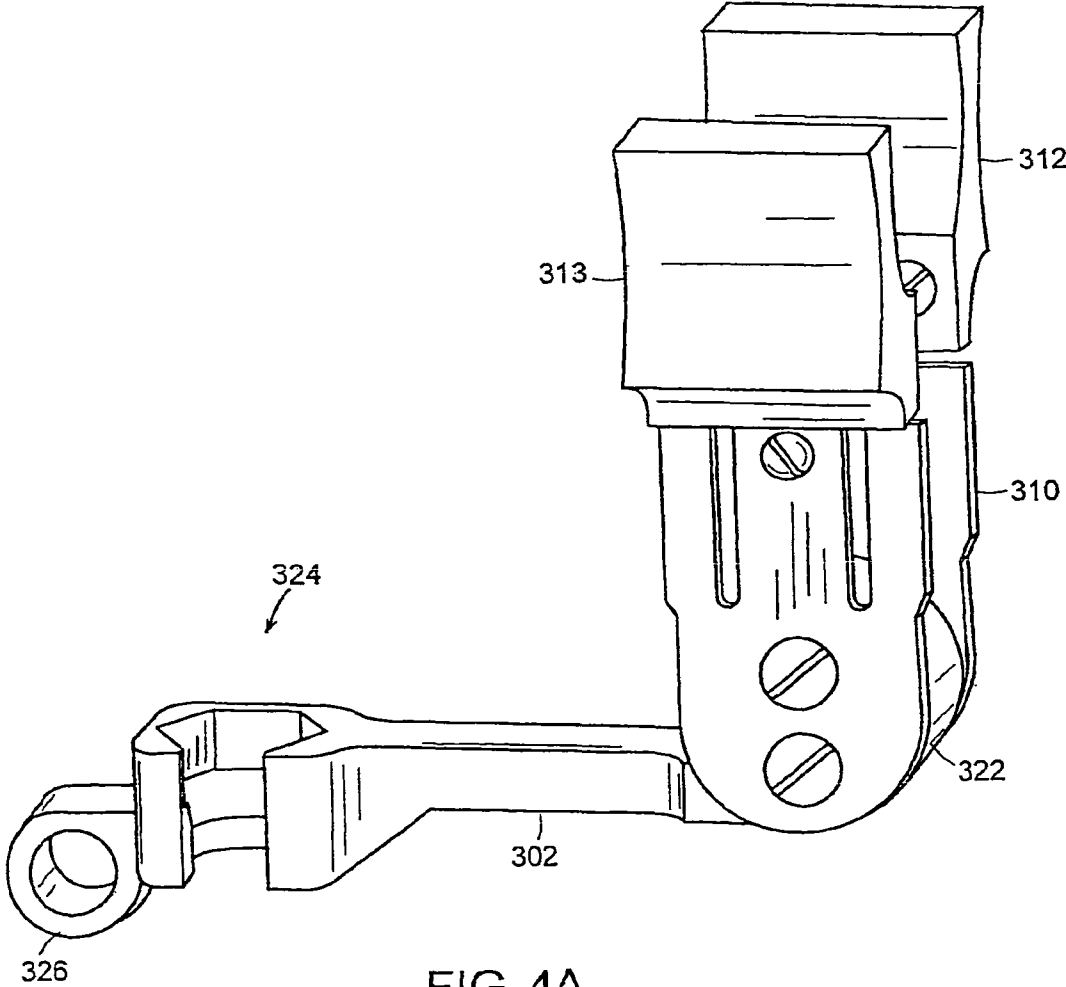


FIG. 4A

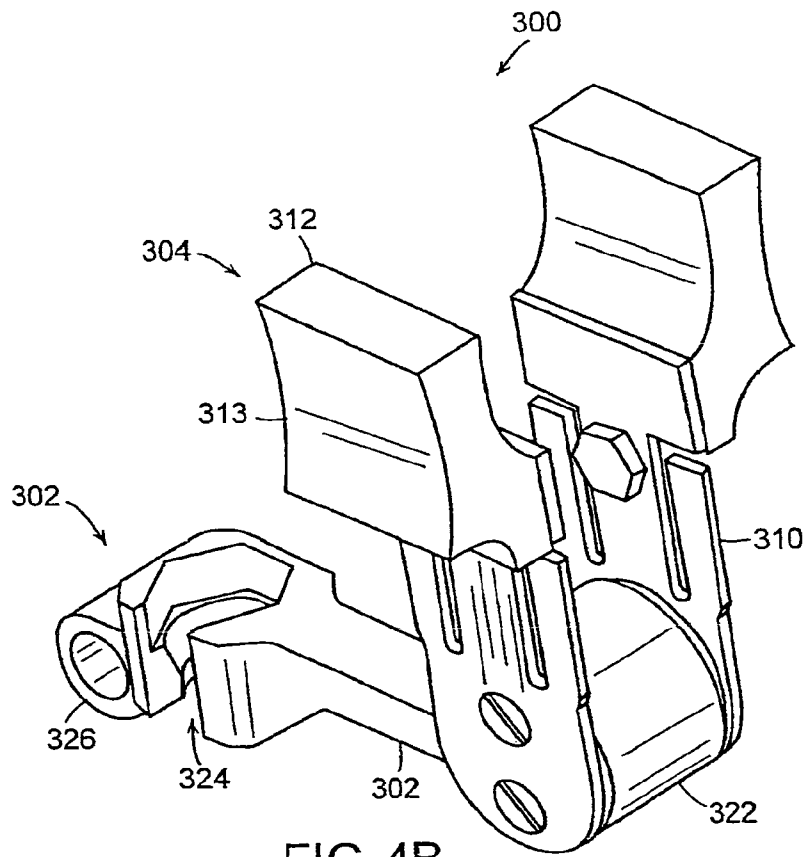


FIG. 4B

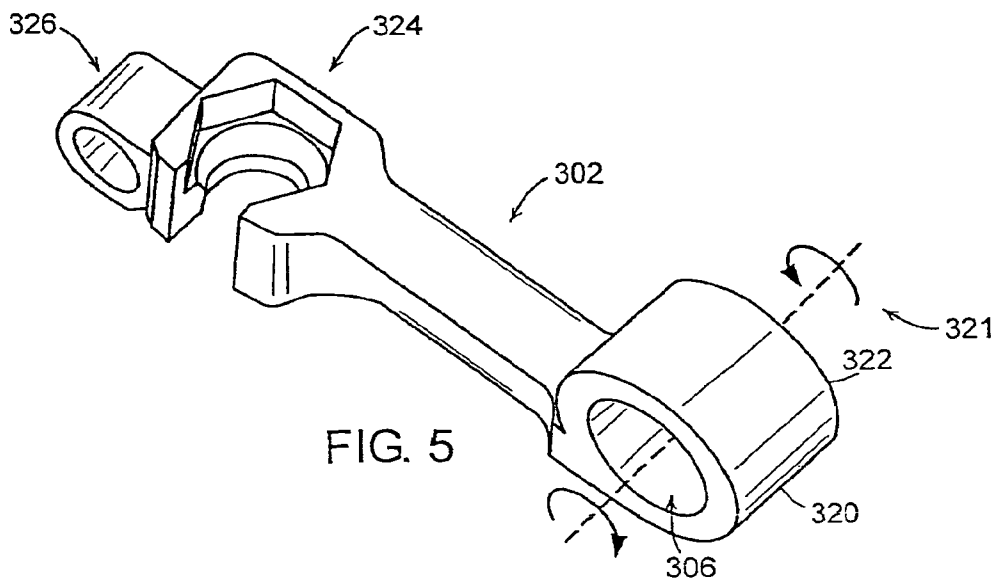
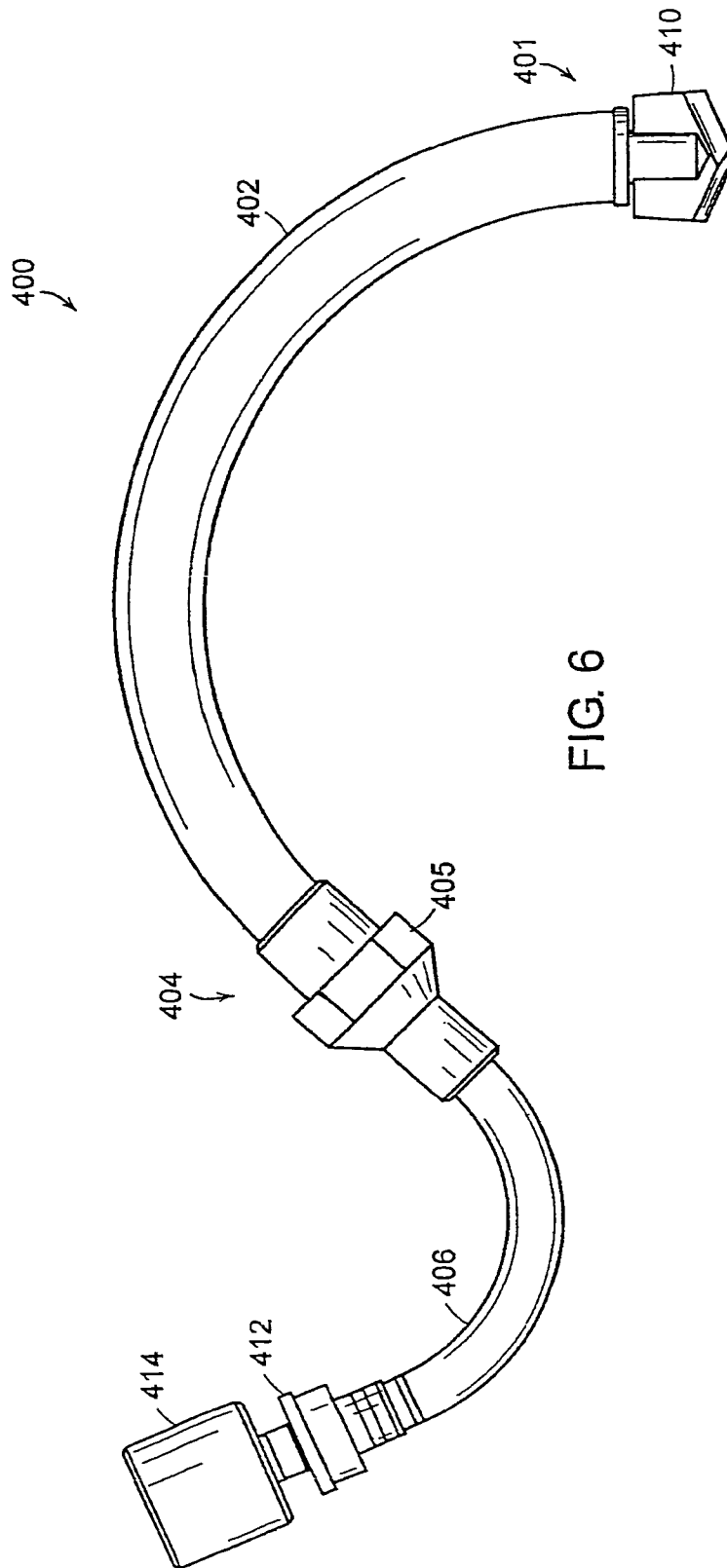


FIG. 5





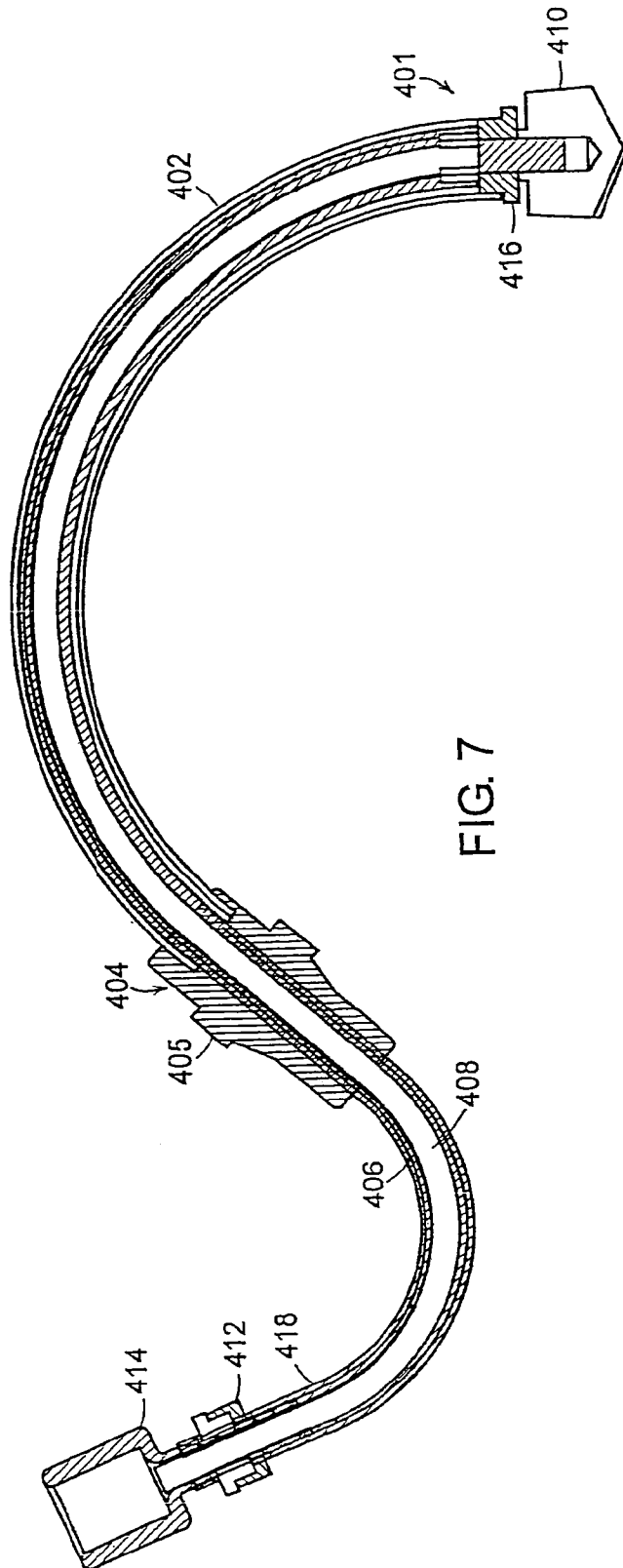


FIG. 7

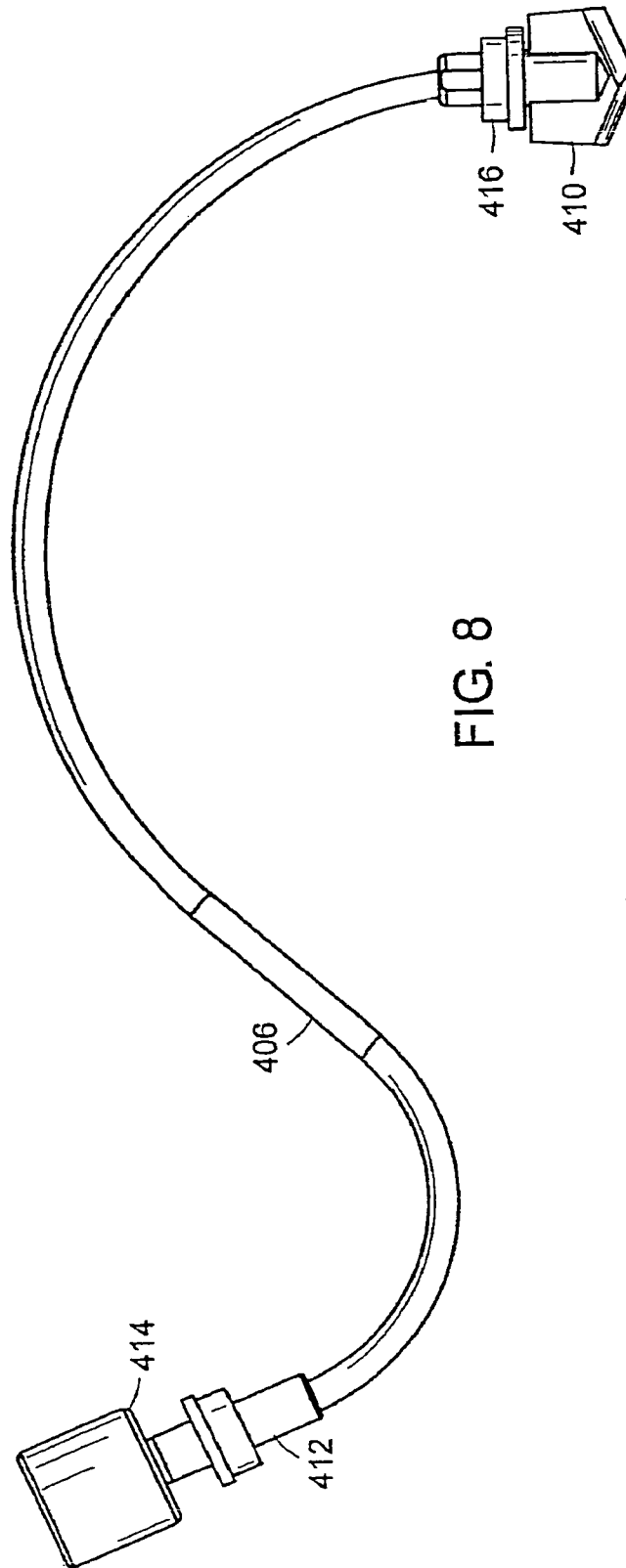
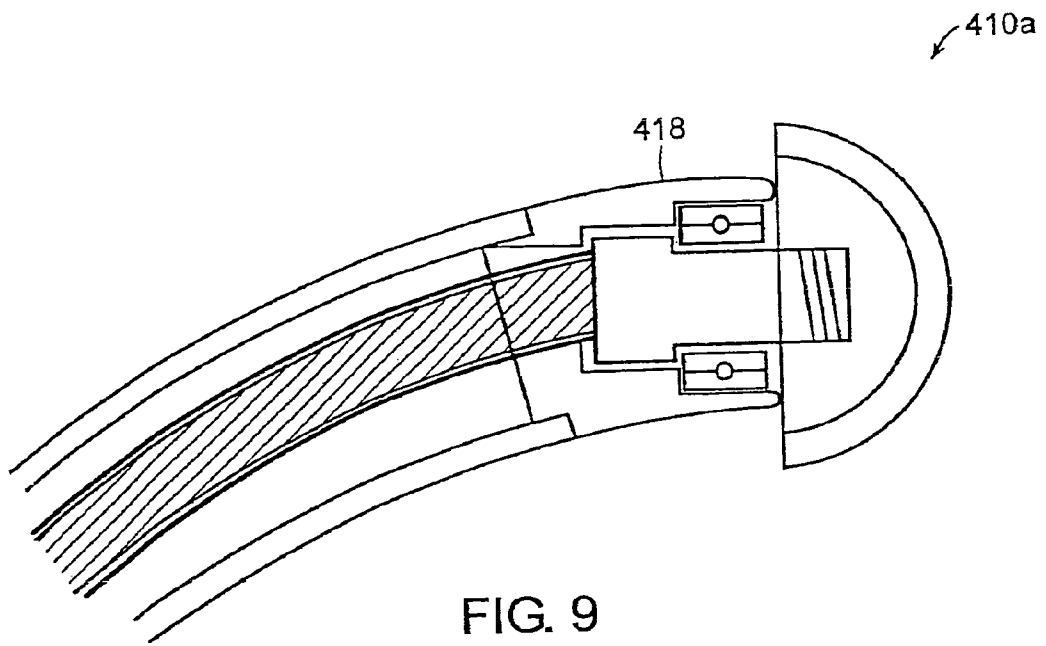


FIG. 8



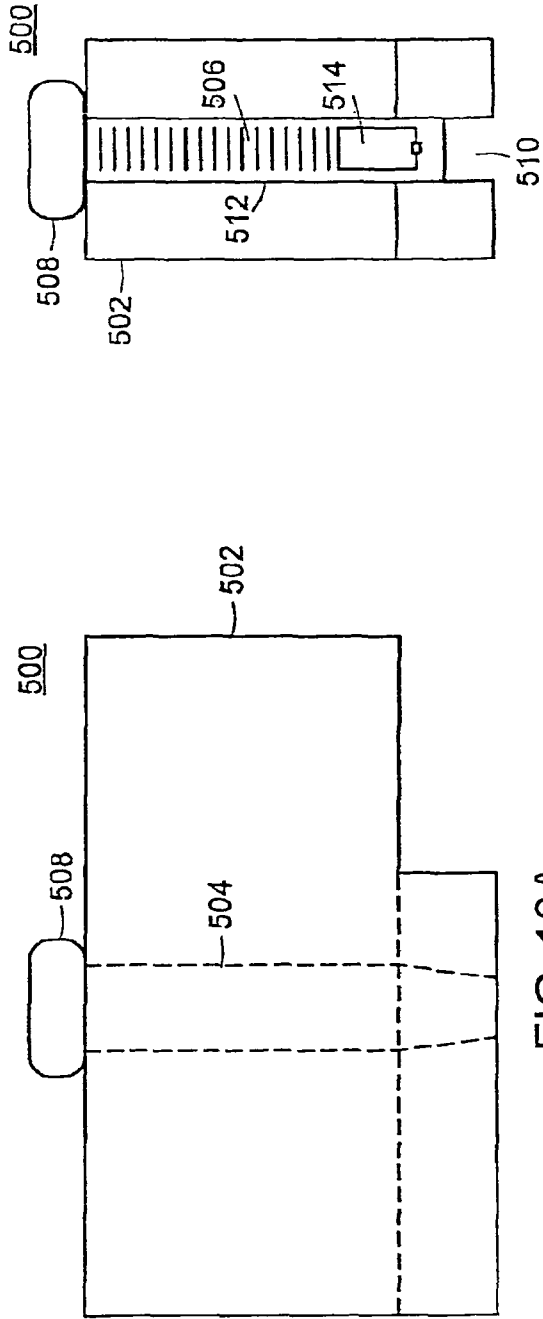


FIG. 10A

FIG. 10B

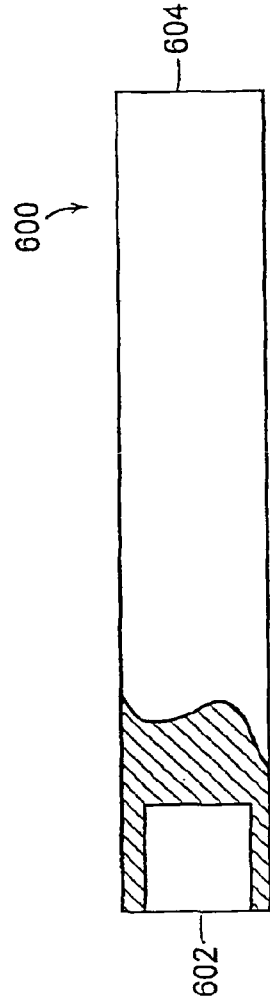


FIG. 12

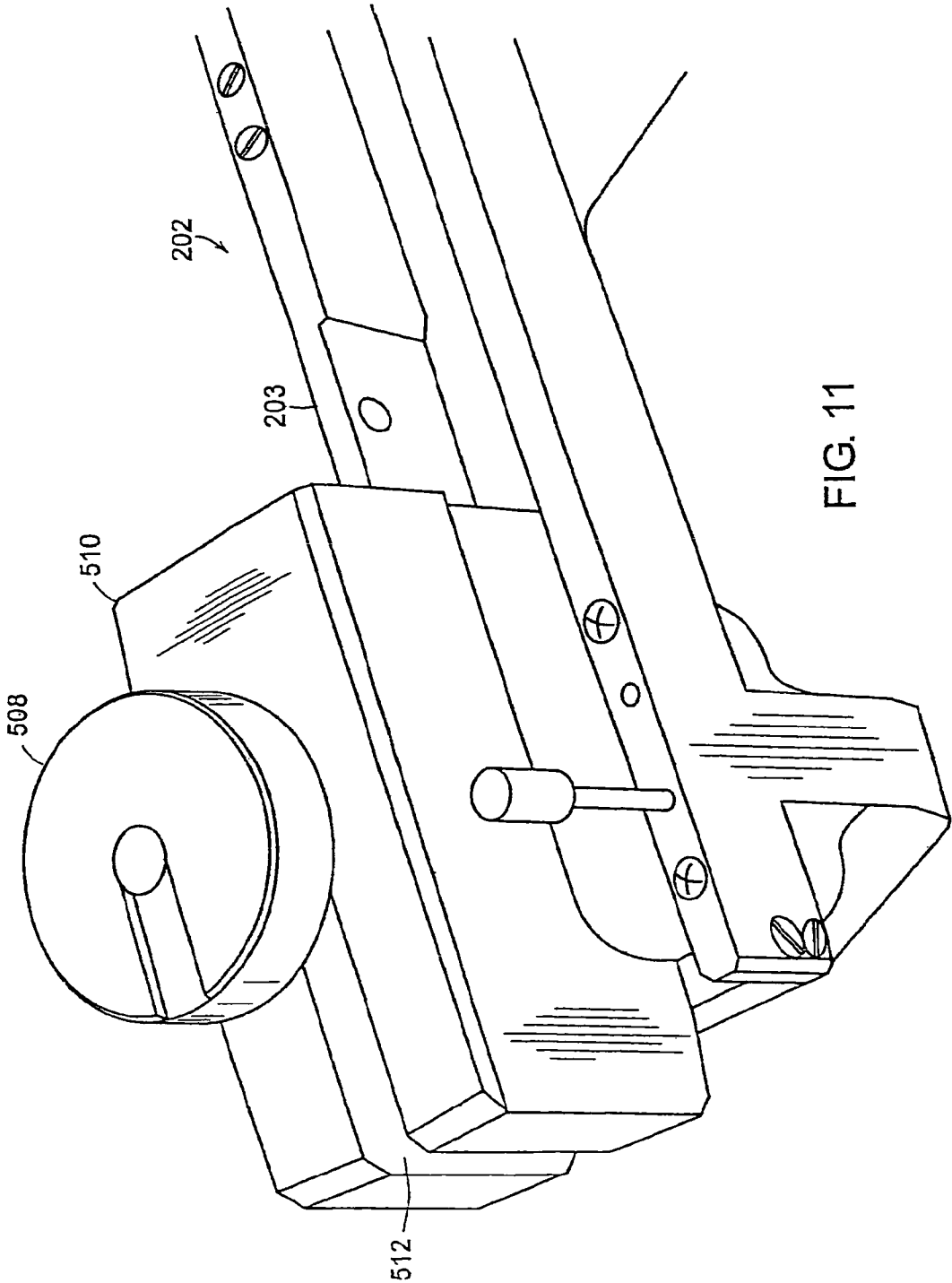


FIG. 11

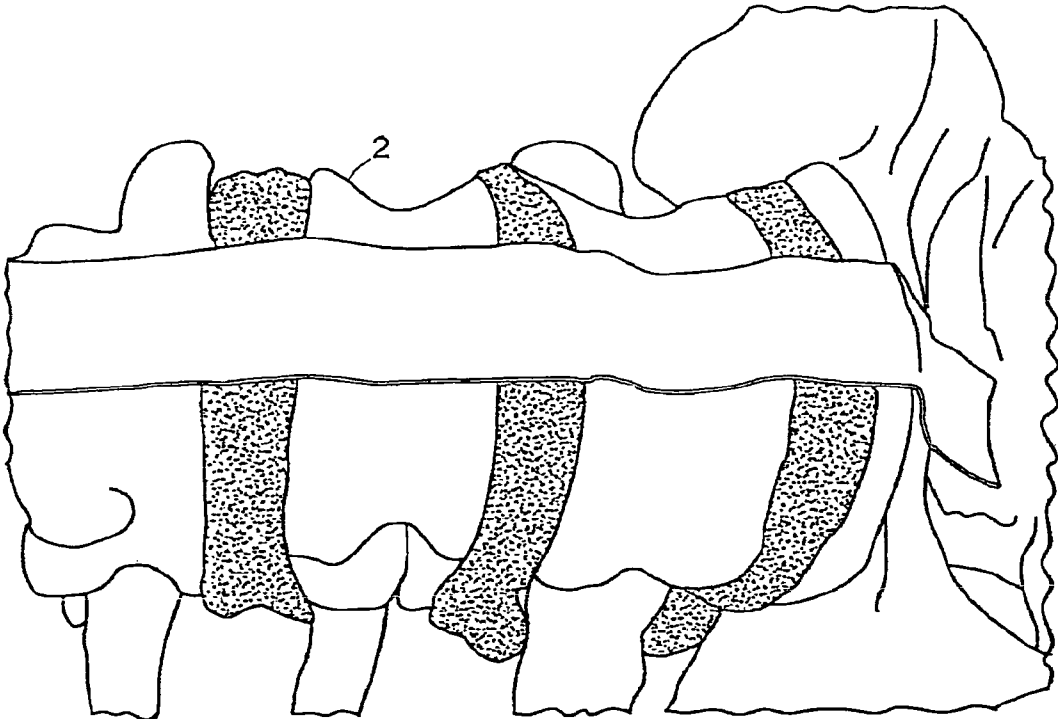


FIG. 13A

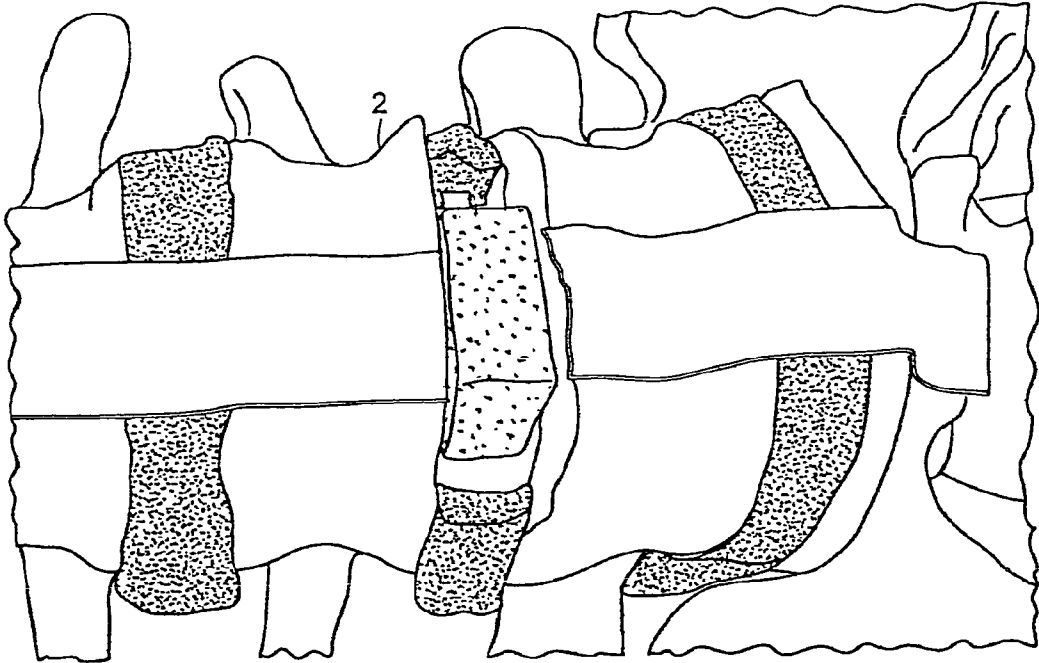


FIG. 13B

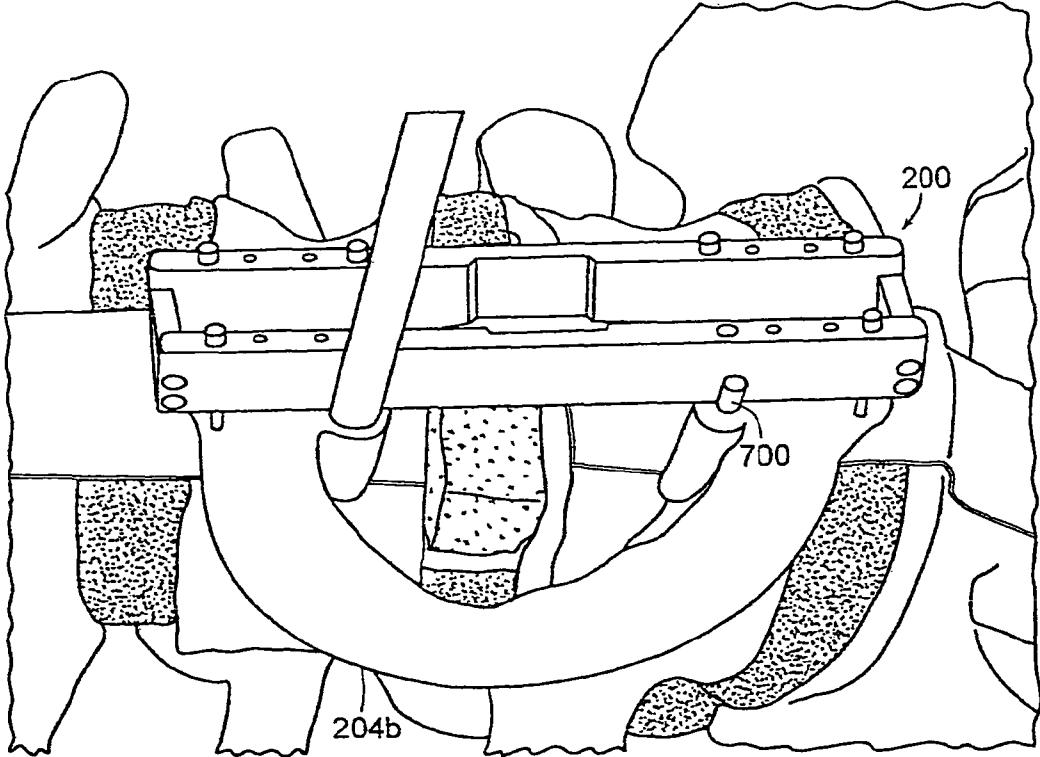


FIG. 13C



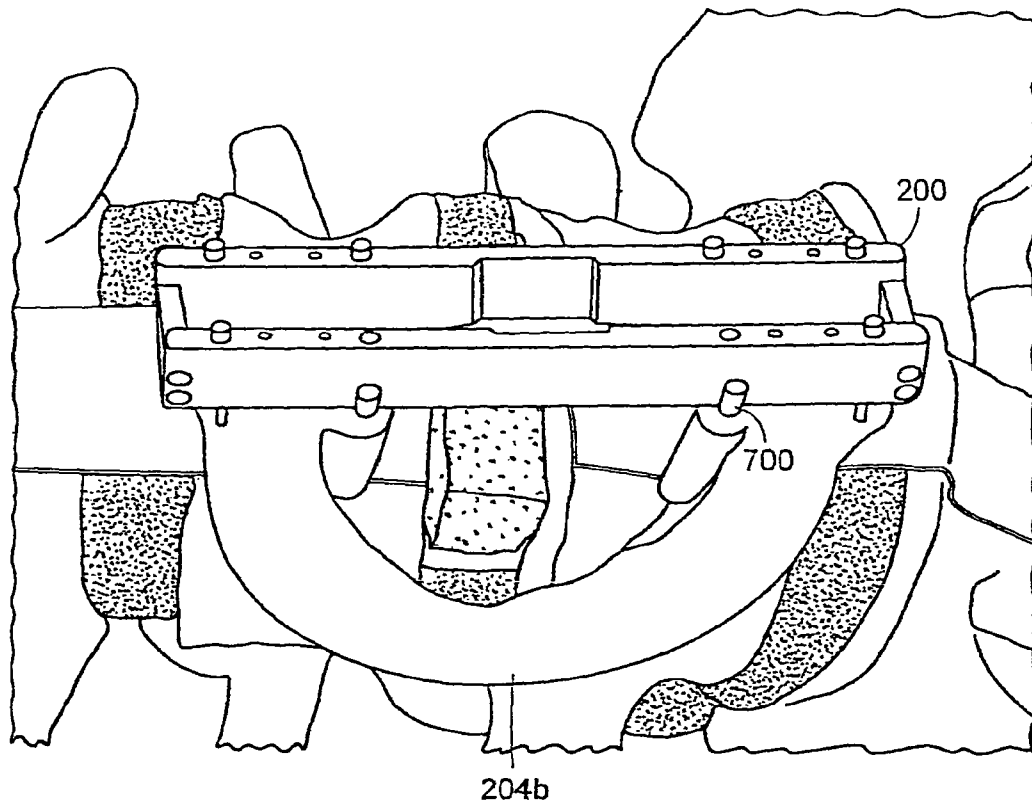


FIG. 13D

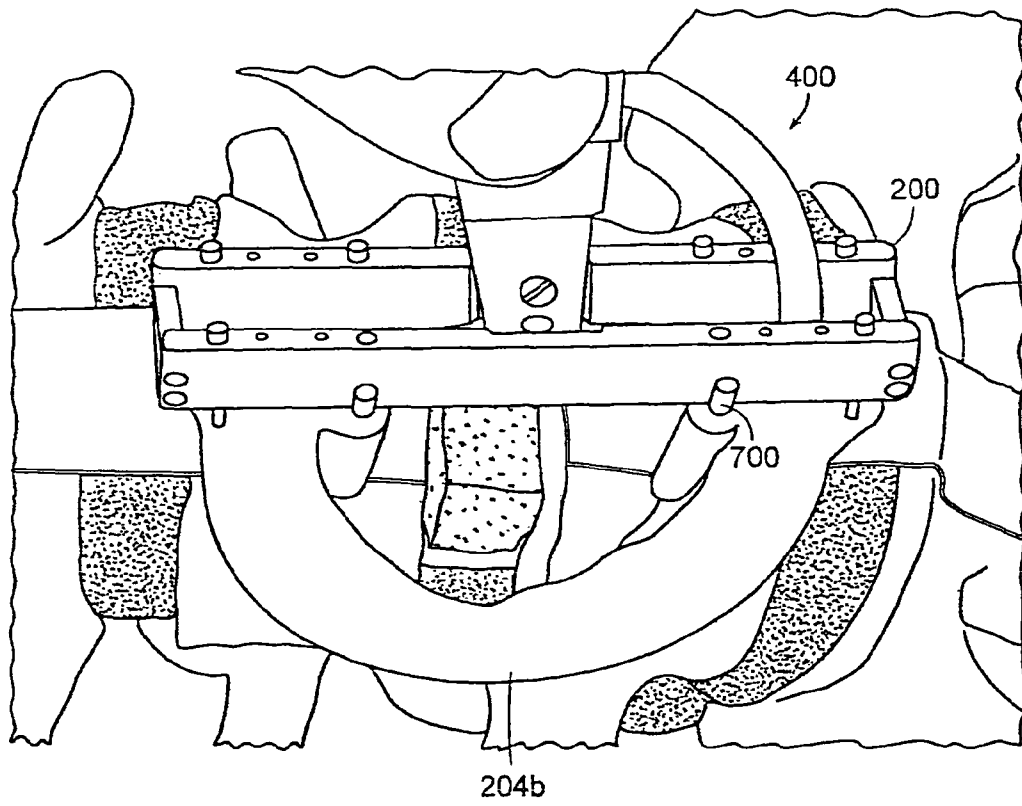


FIG. 13E

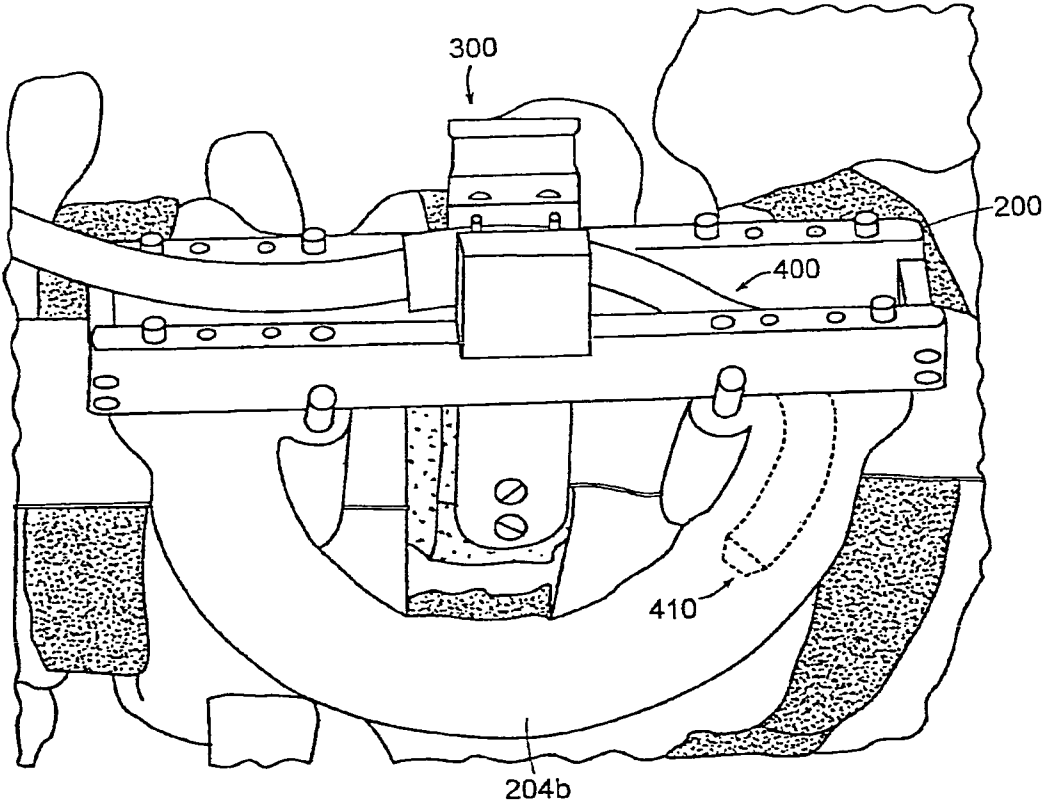


FIG. 13F

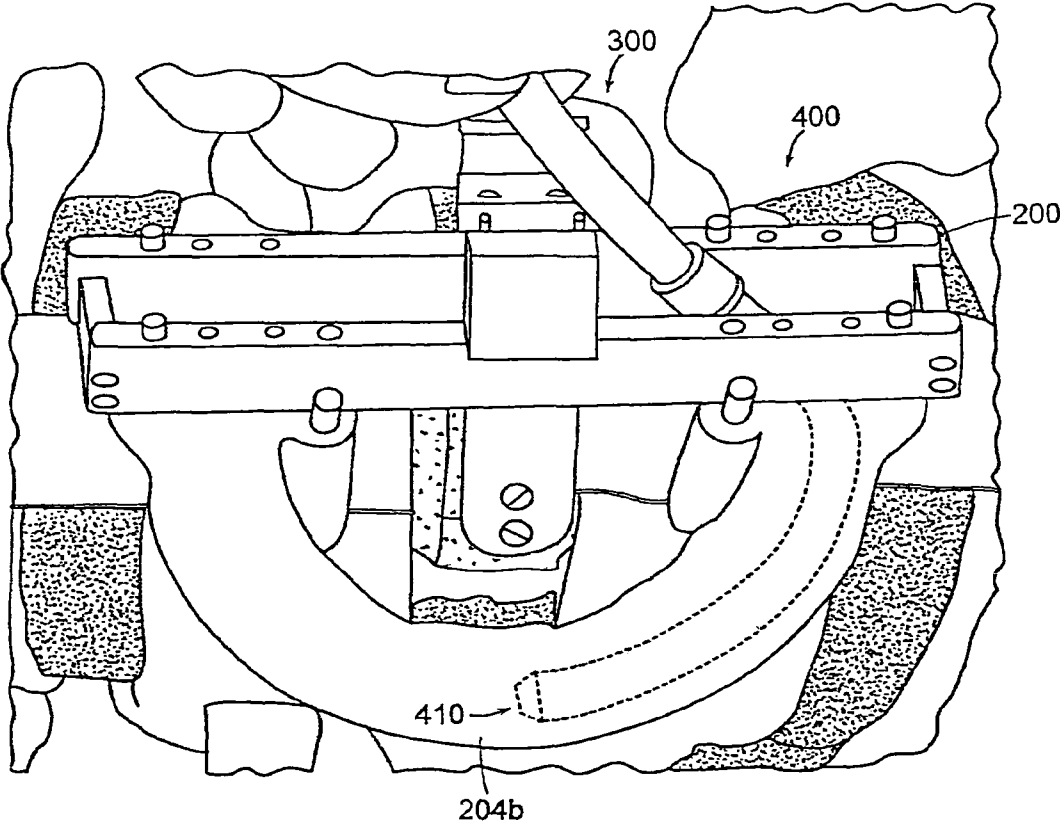


FIG. 13G

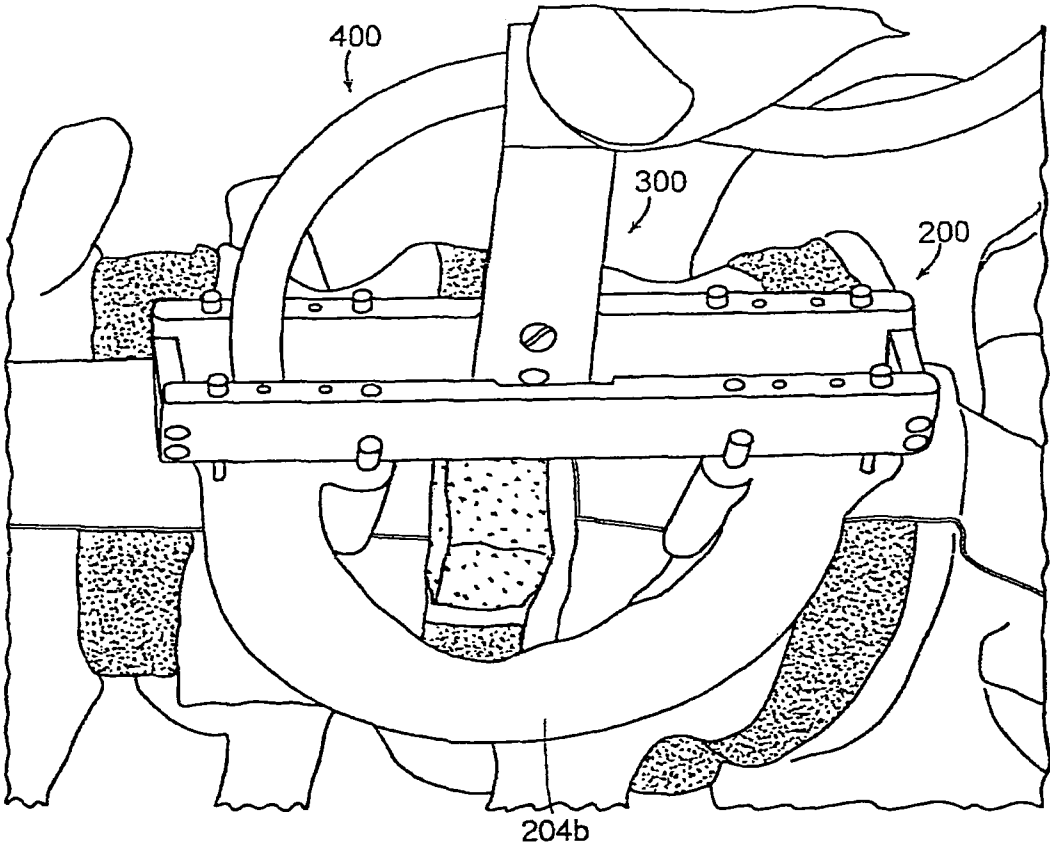


FIG. 13H

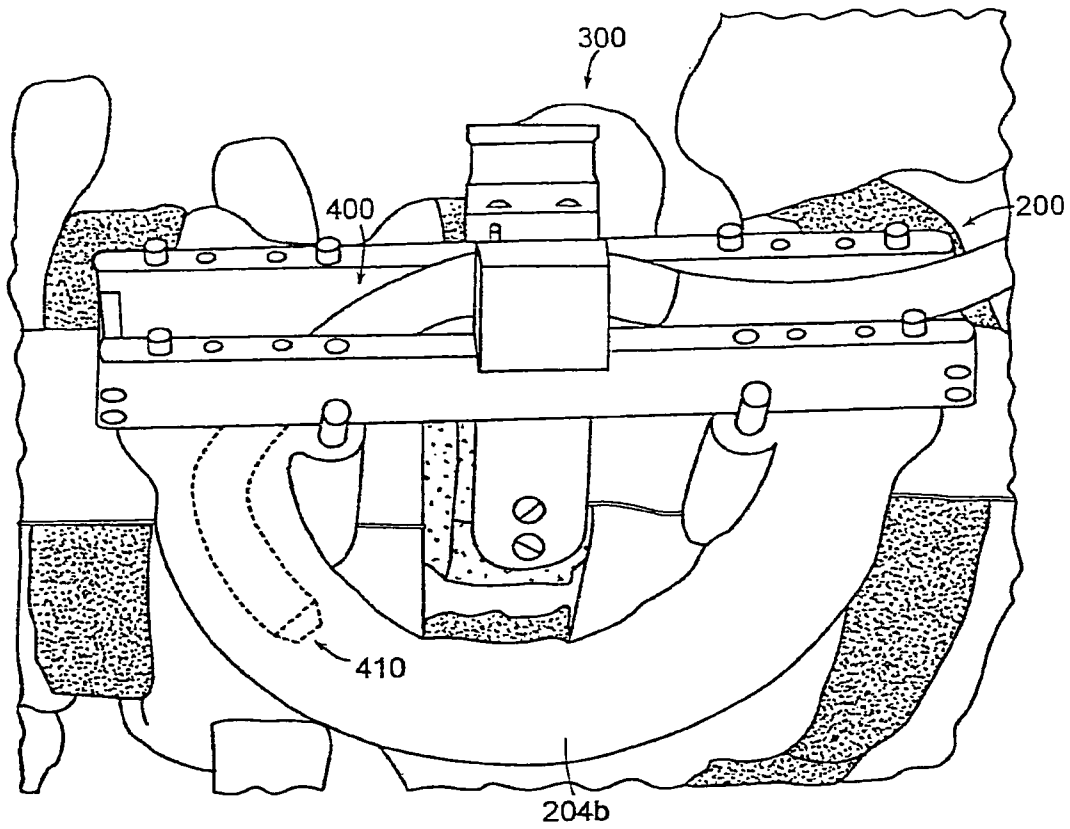


FIG. 13I

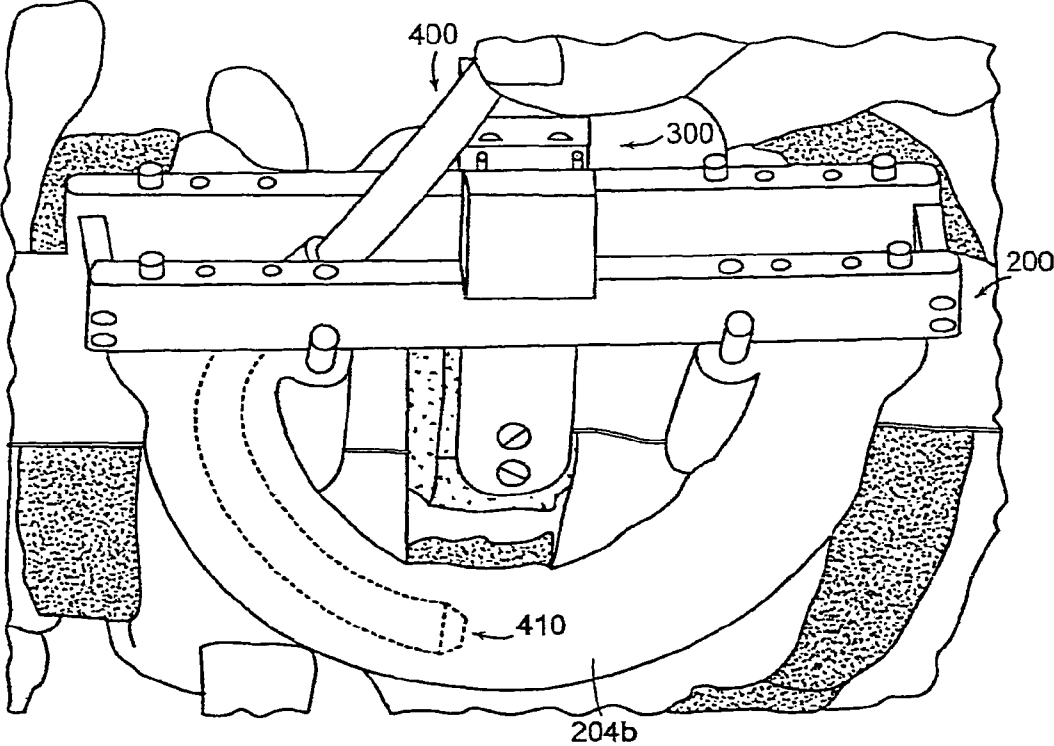


FIG. 13J

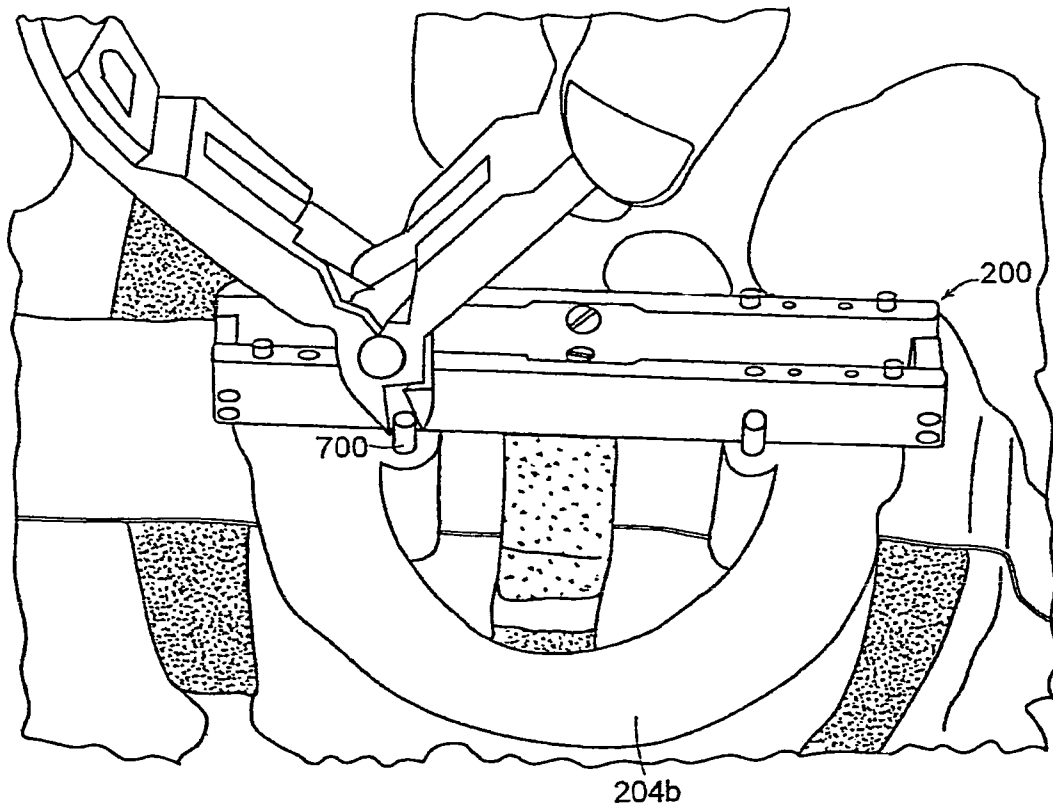


FIG. 13K



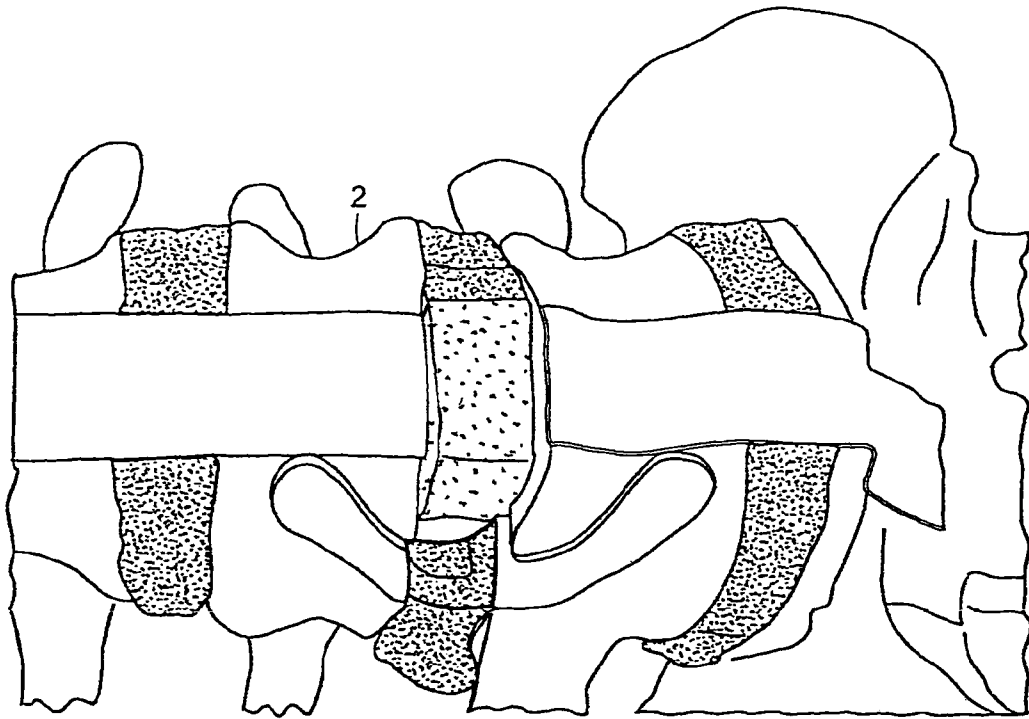


FIG. 13L

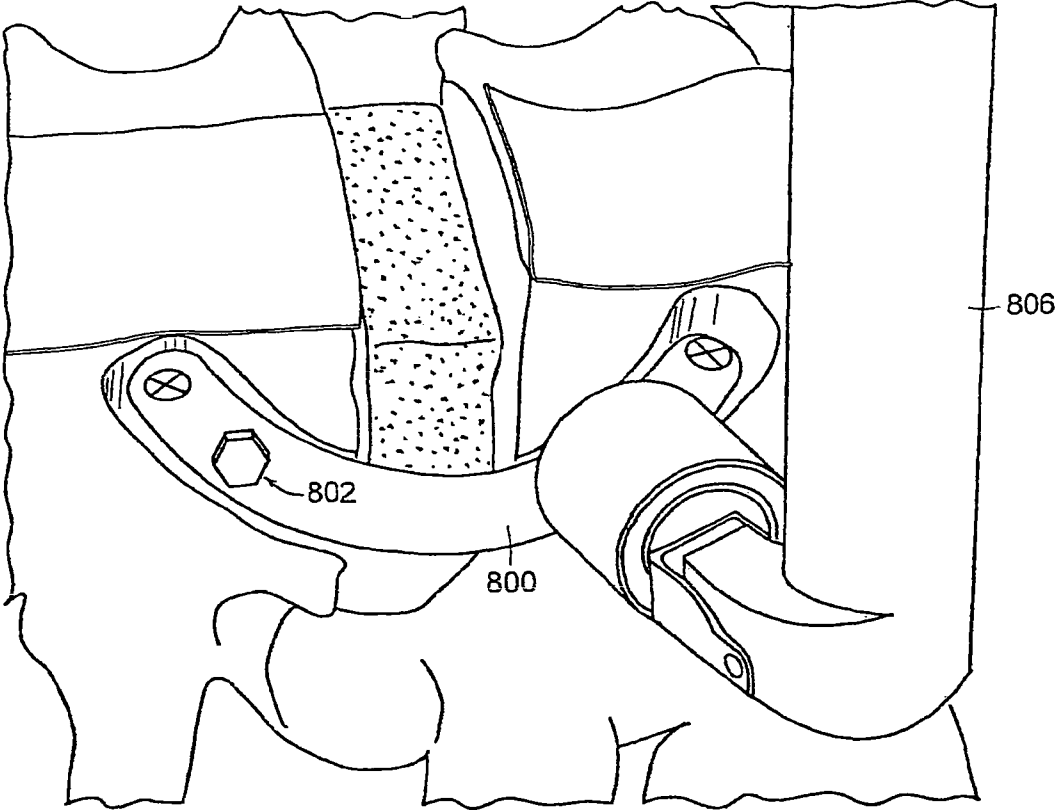


FIG. 14A

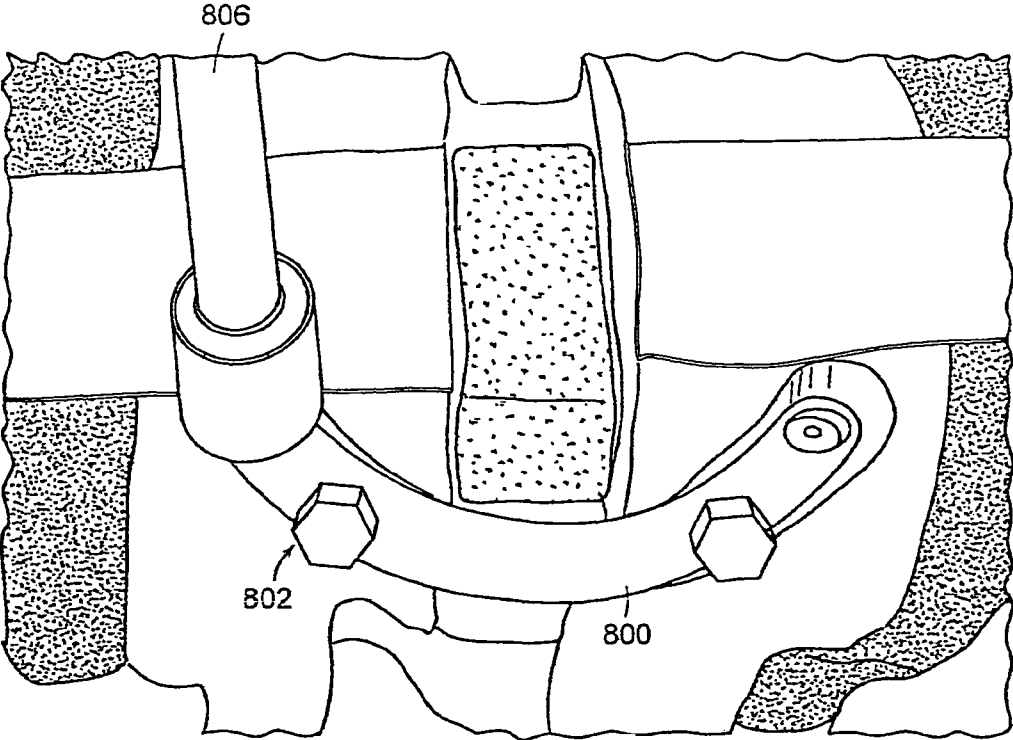


FIG. 14B

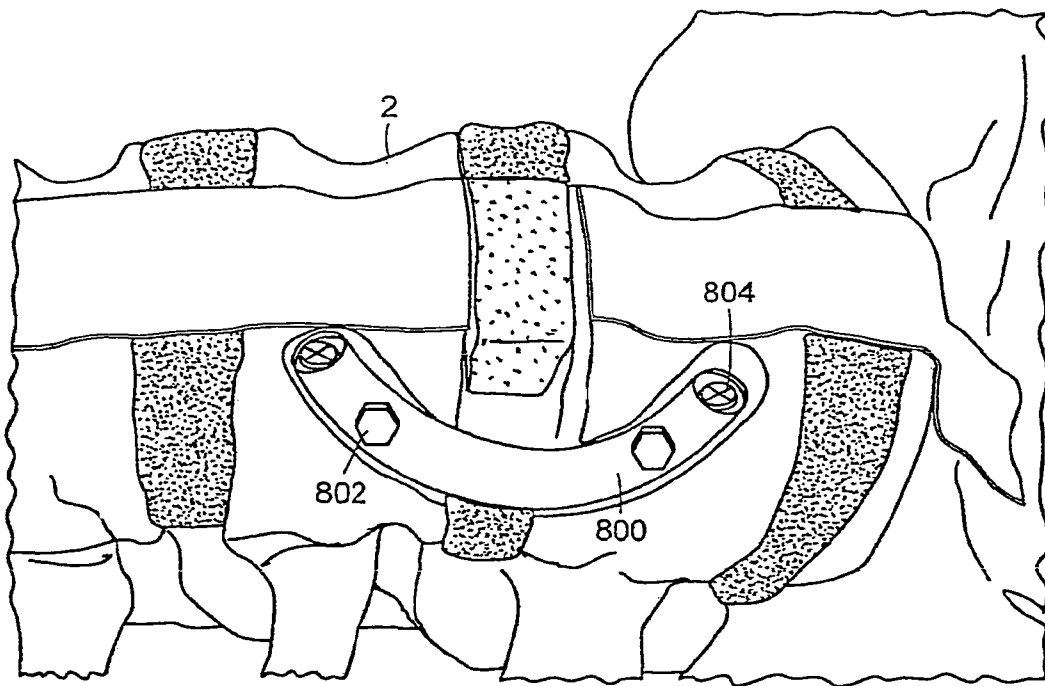


FIG. 14C

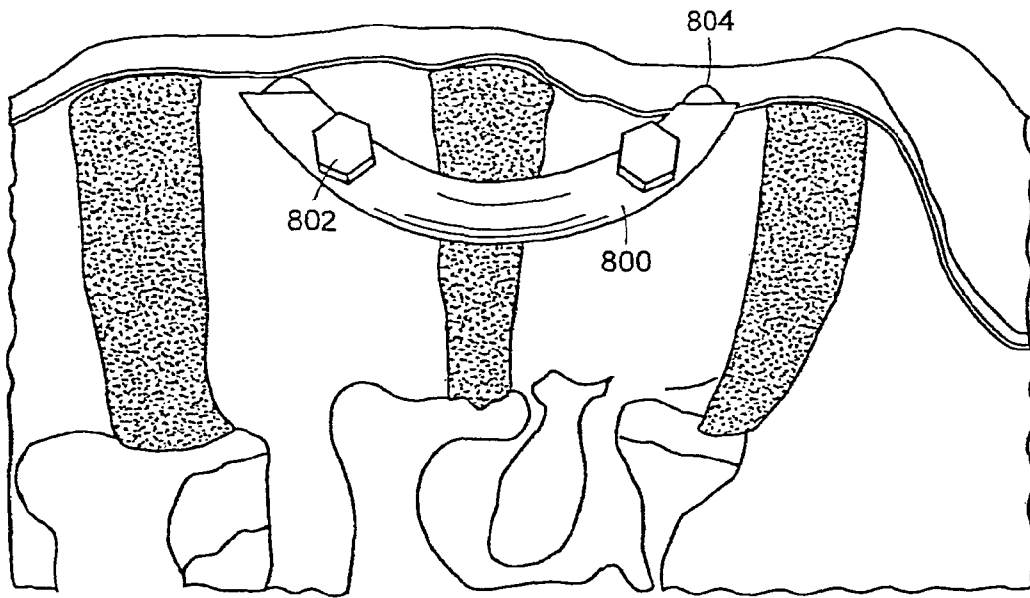


FIG. 14D

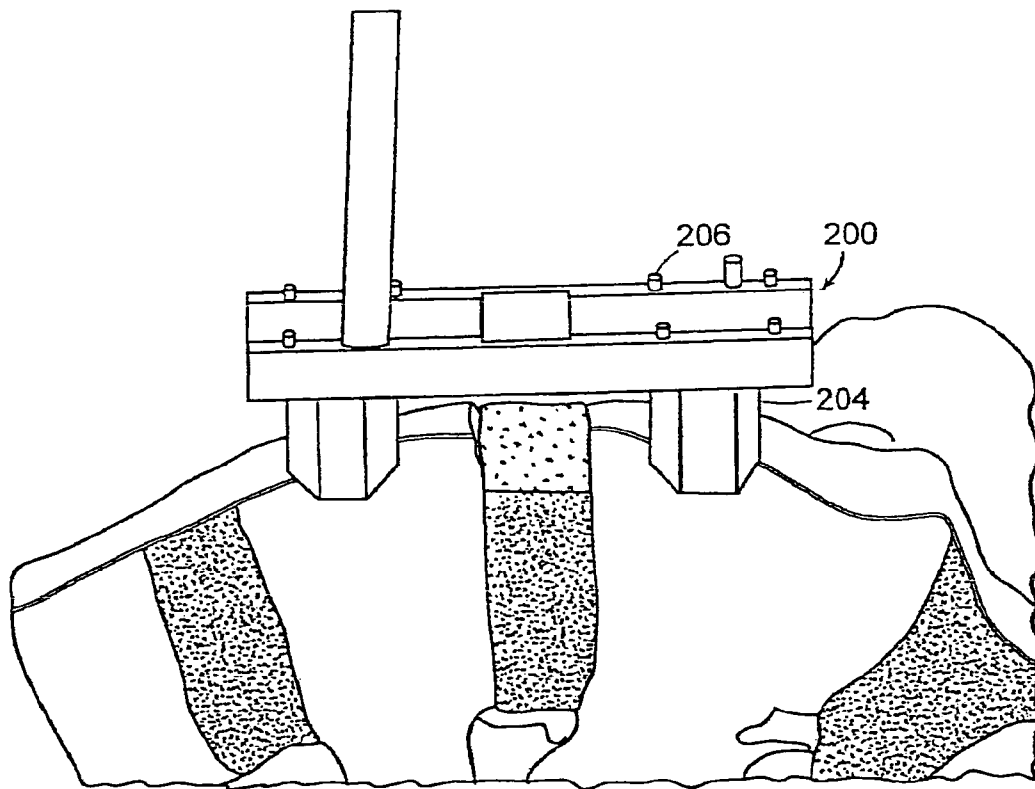


FIG. 15A

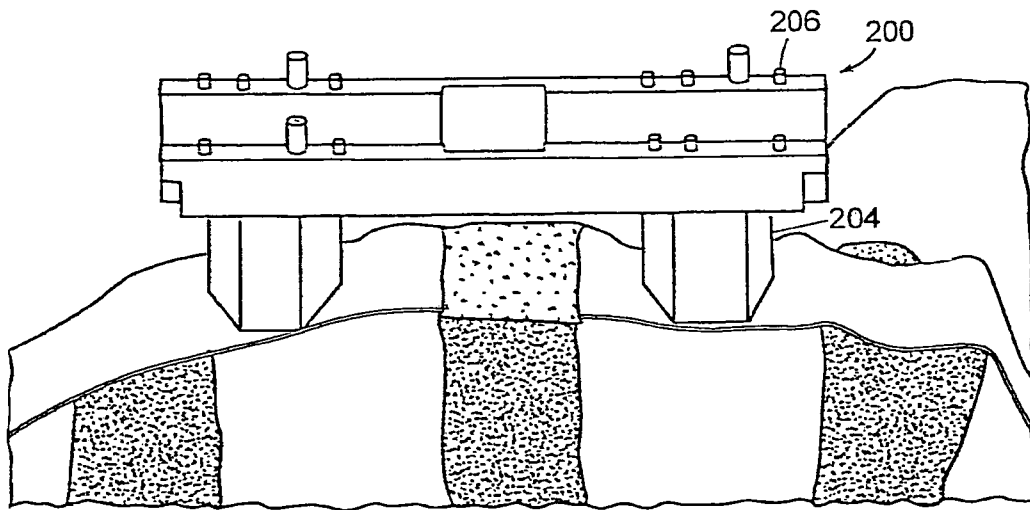


FIG. 15B

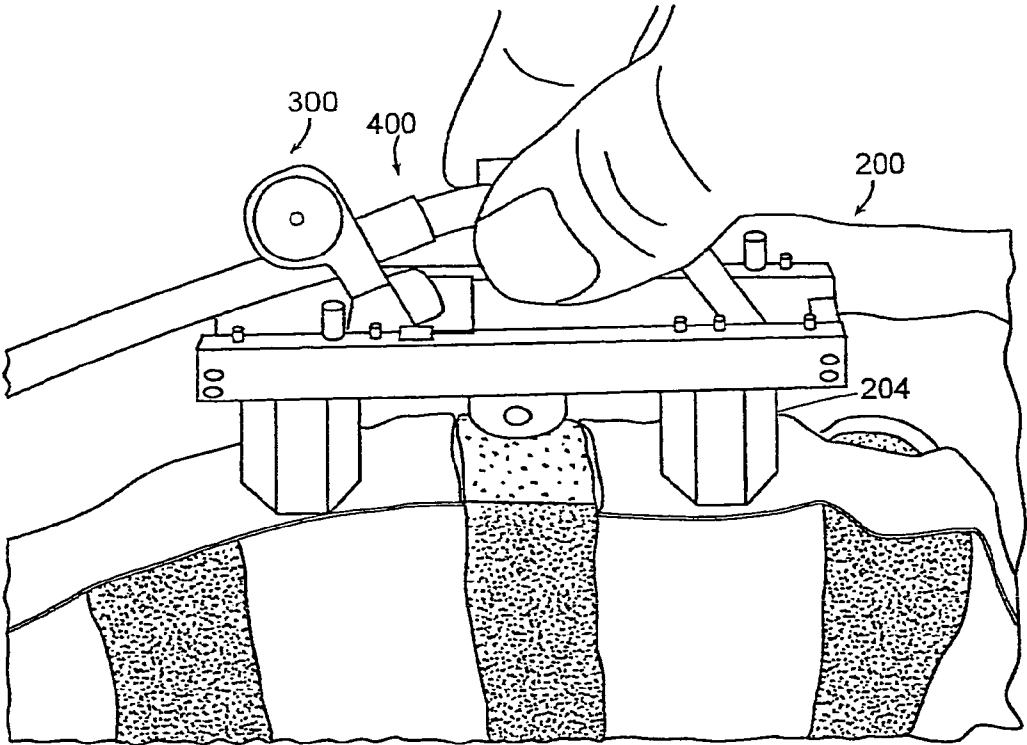


FIG. 15C



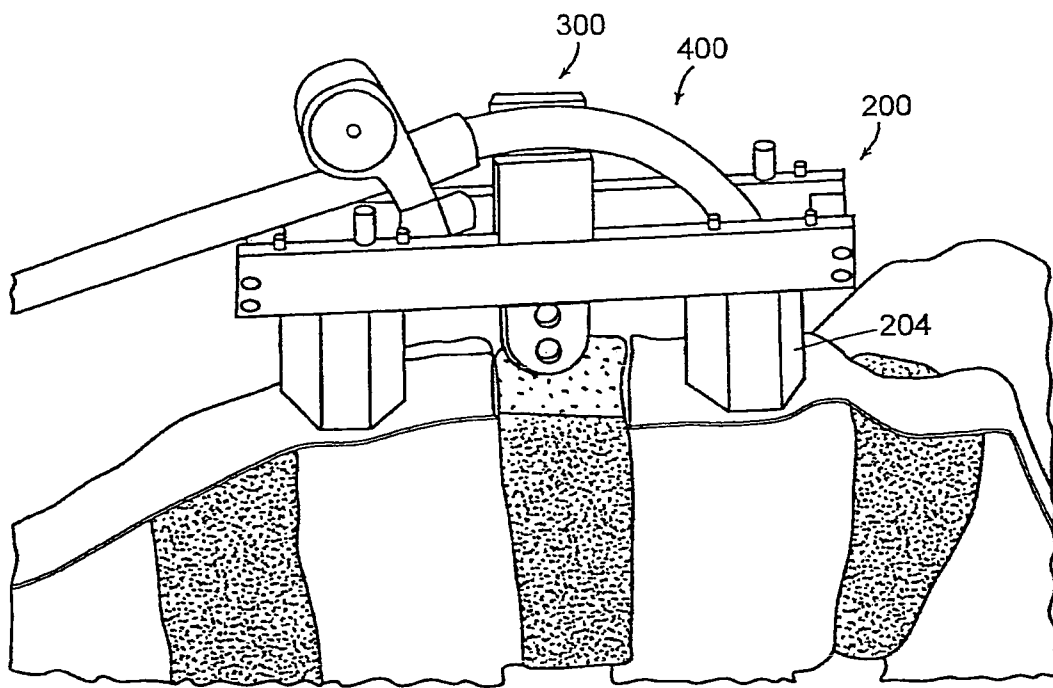


FIG. 15D

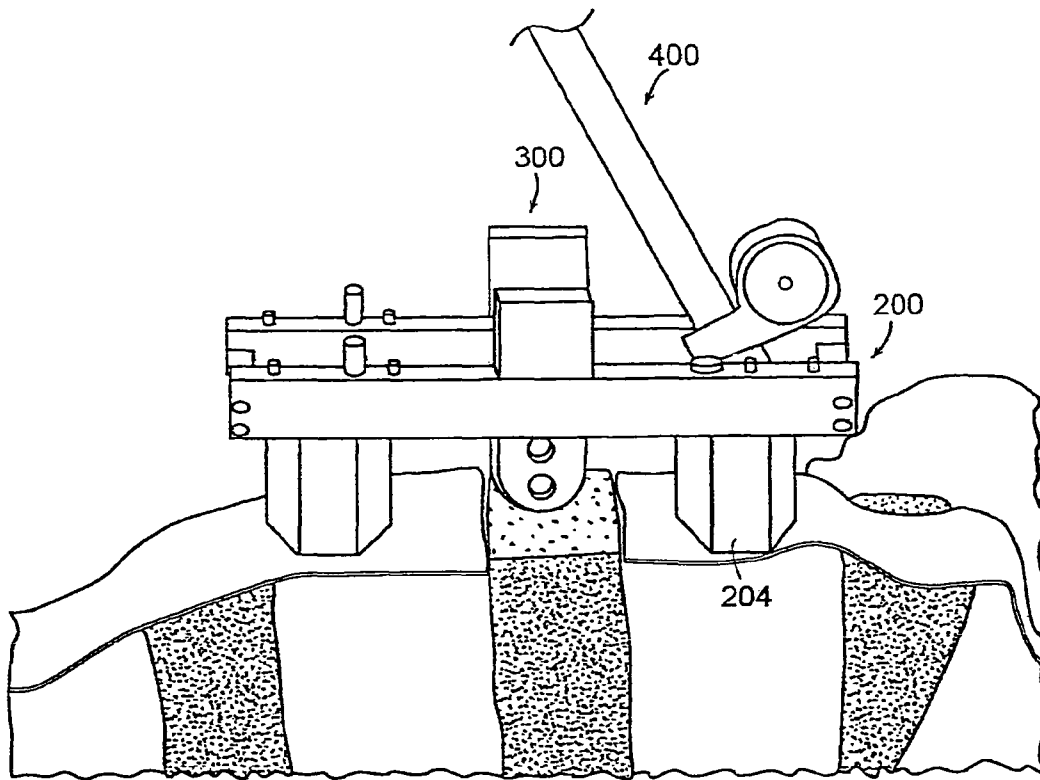


FIG. 15E

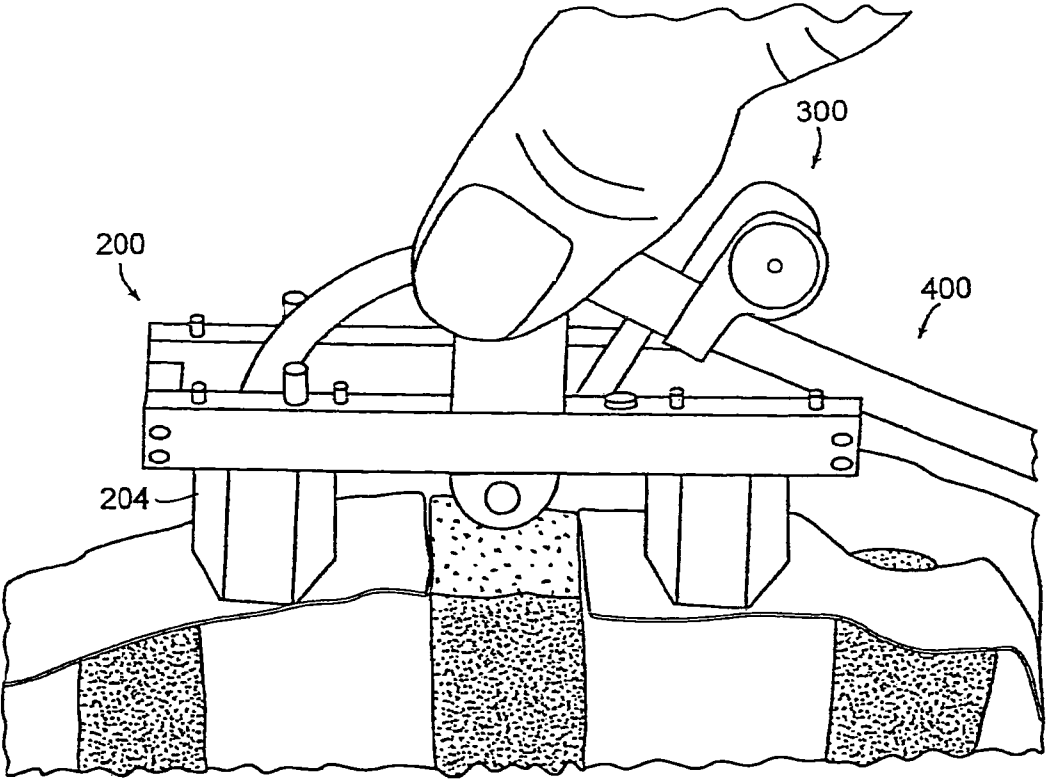


FIG. 15F

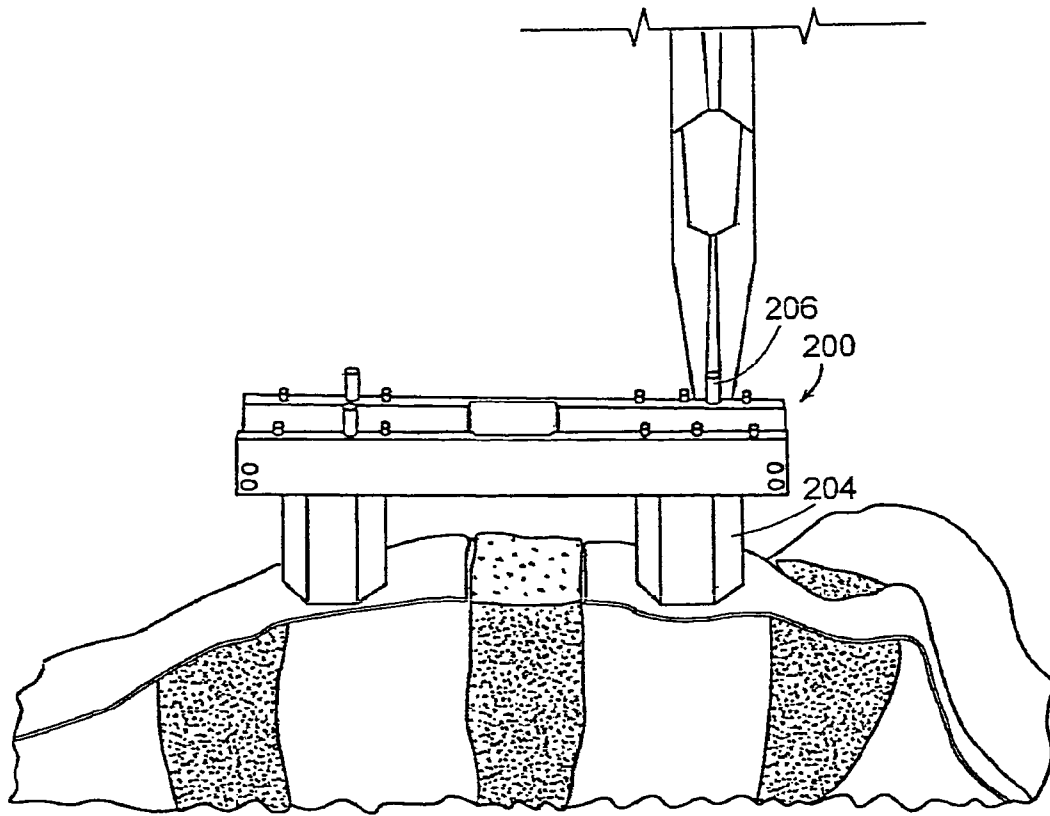


FIG. 15G

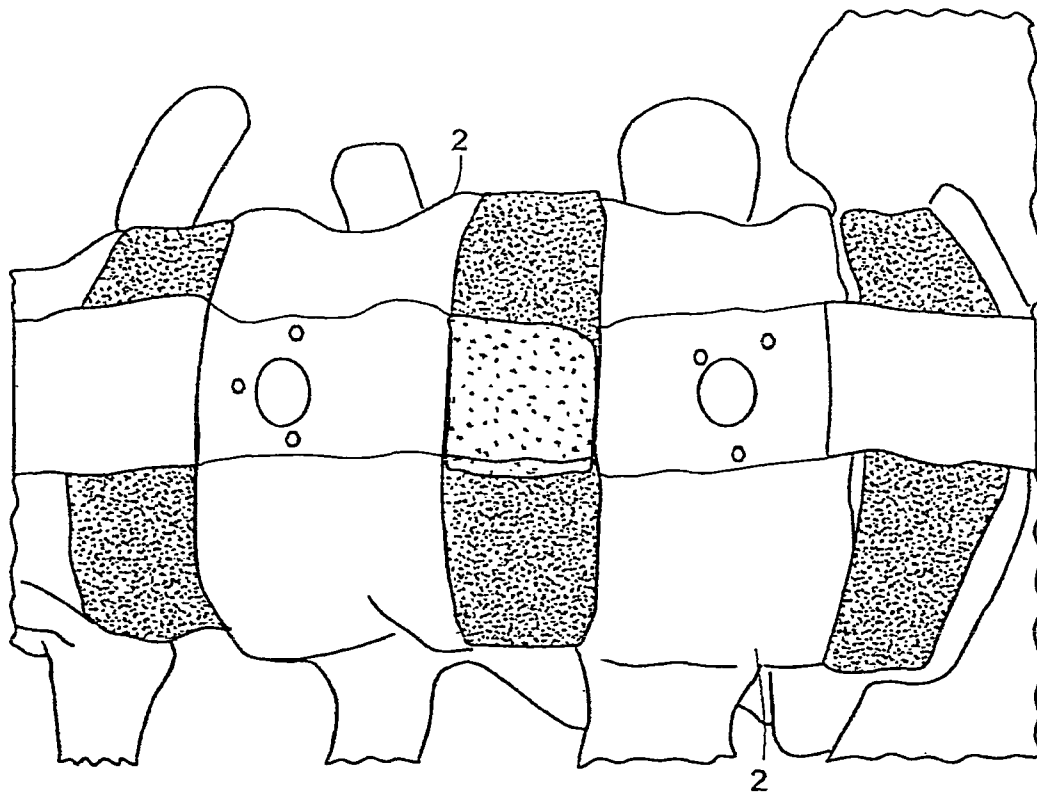


FIG. 15H

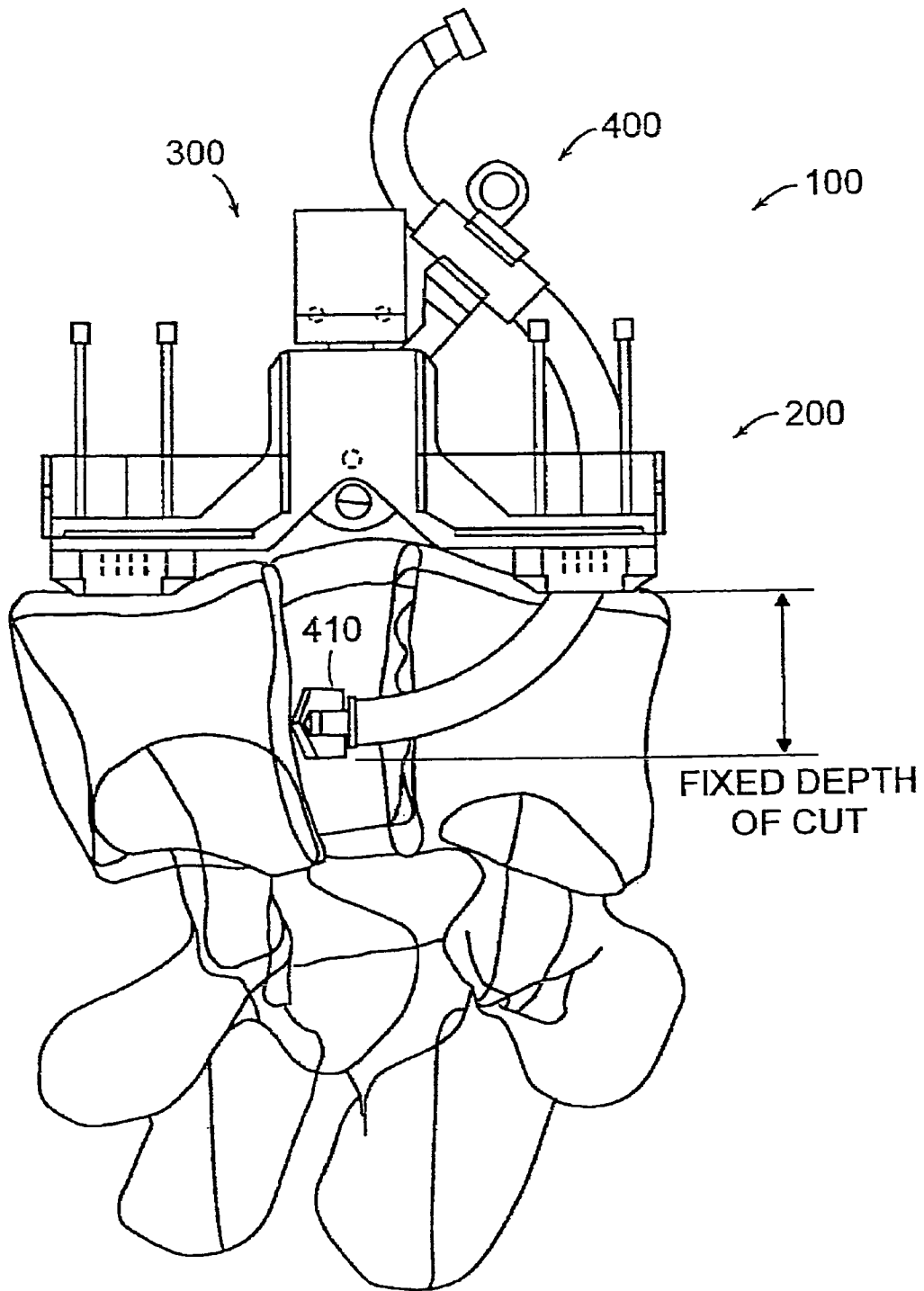


FIG. 15I

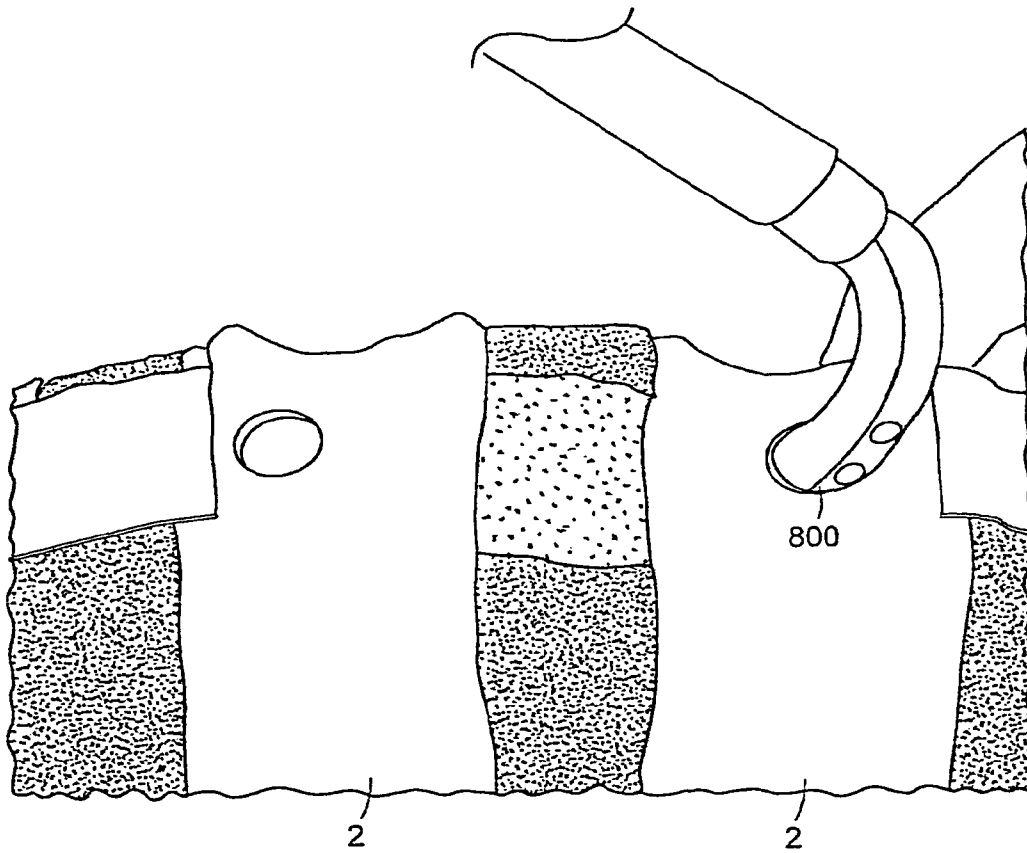


FIG. 16A

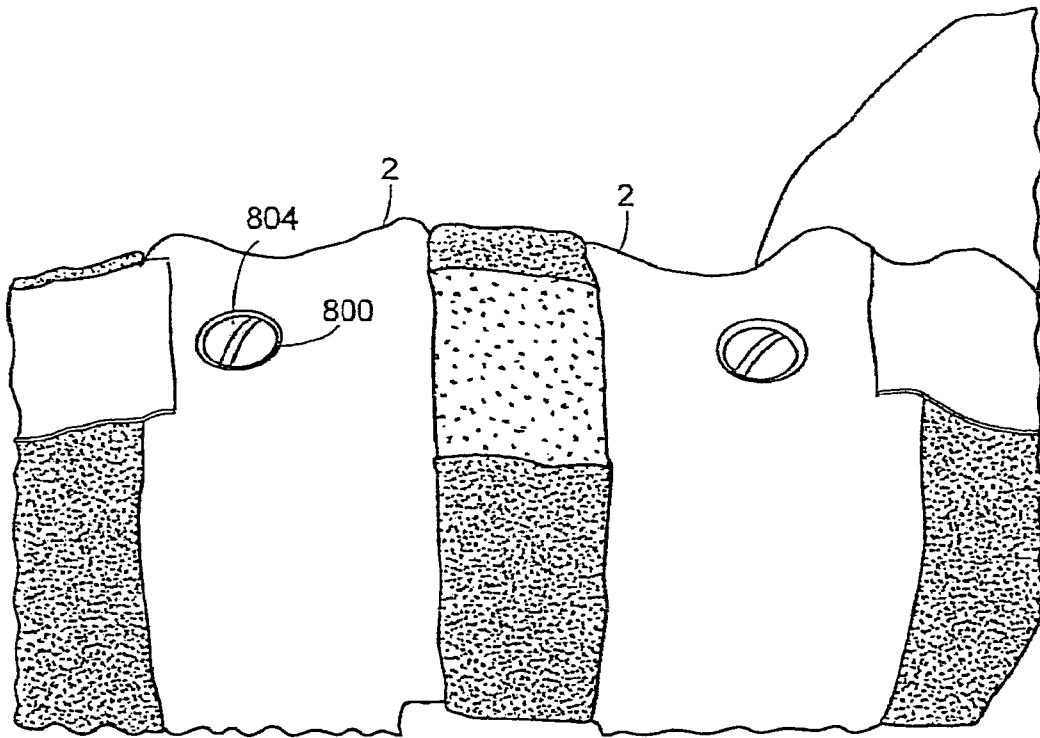


FIG. 16B



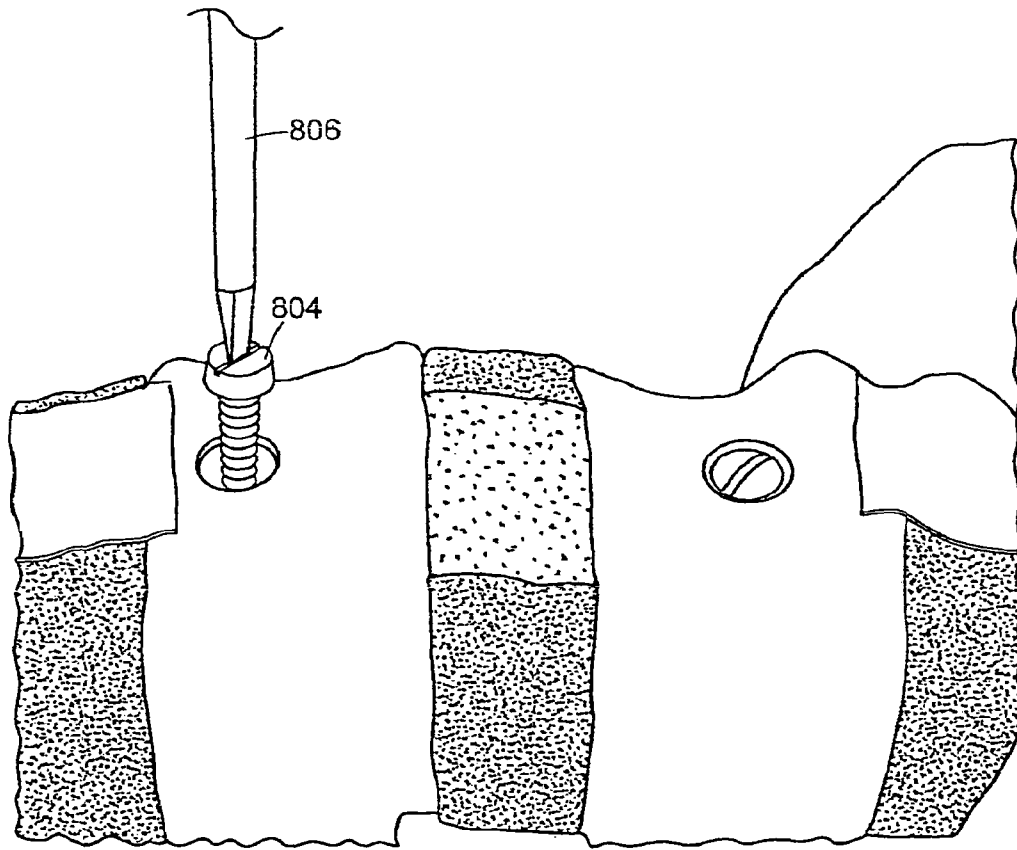


FIG. 16C

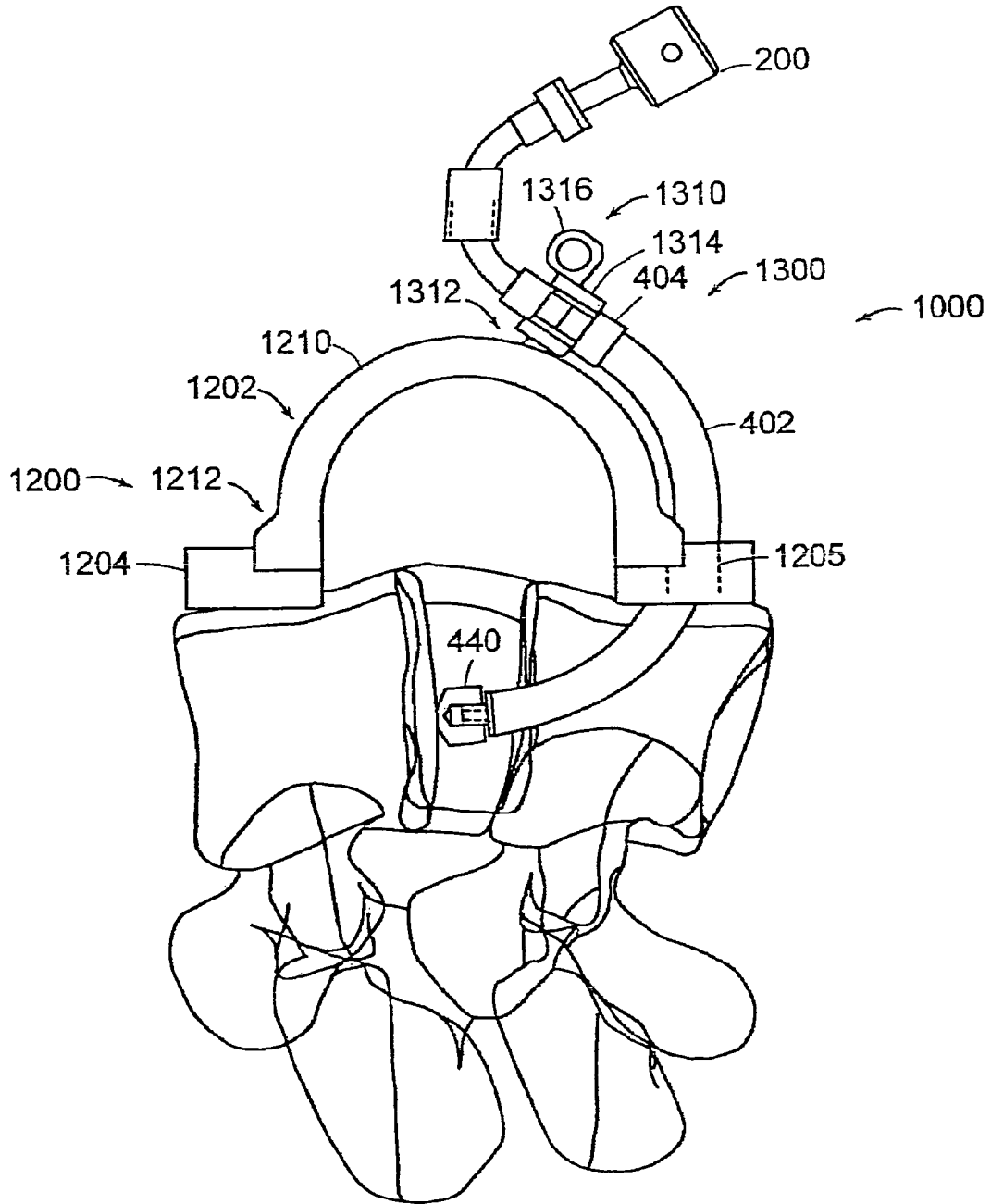


FIG. 17

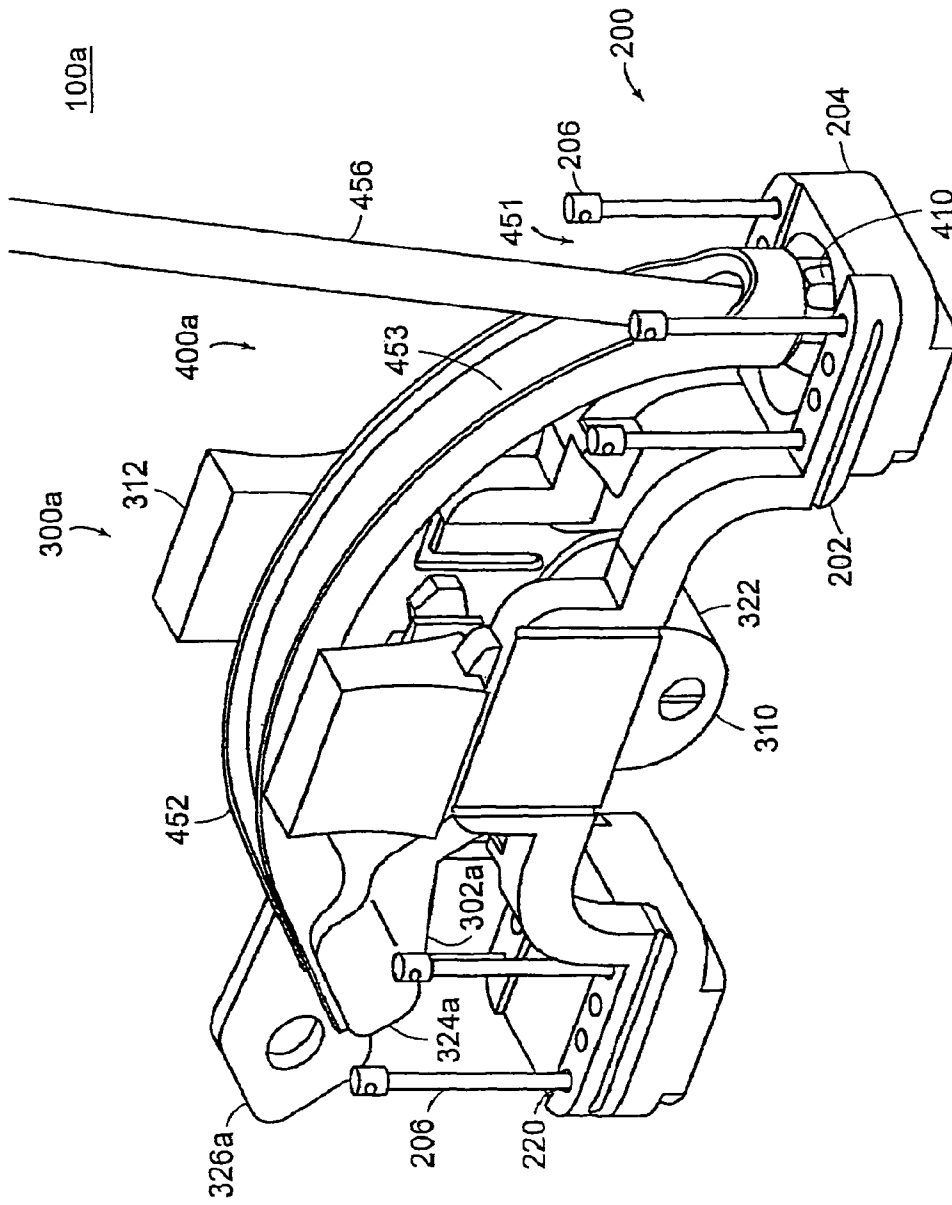


FIG. 18A

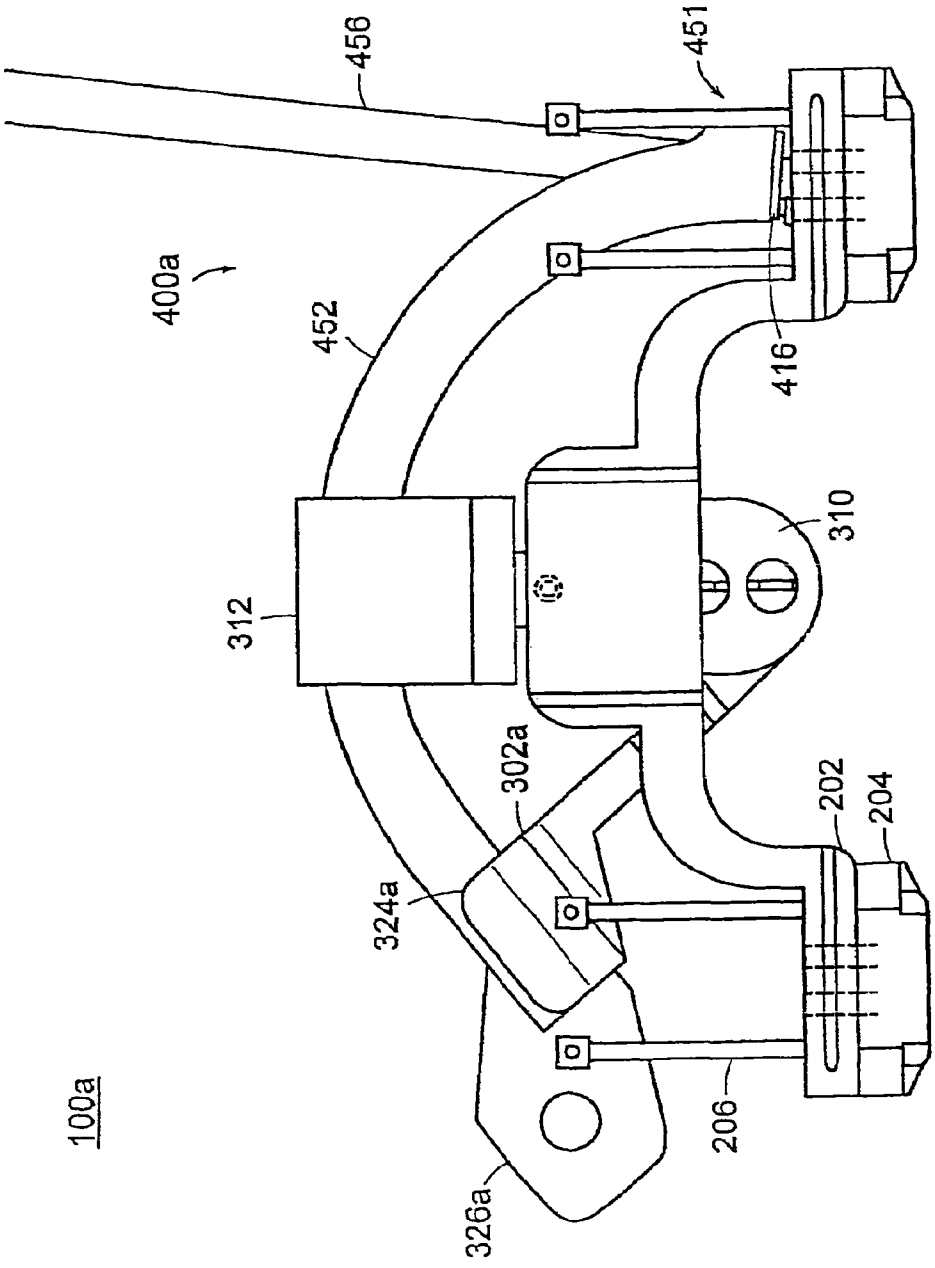


FIG. 18B

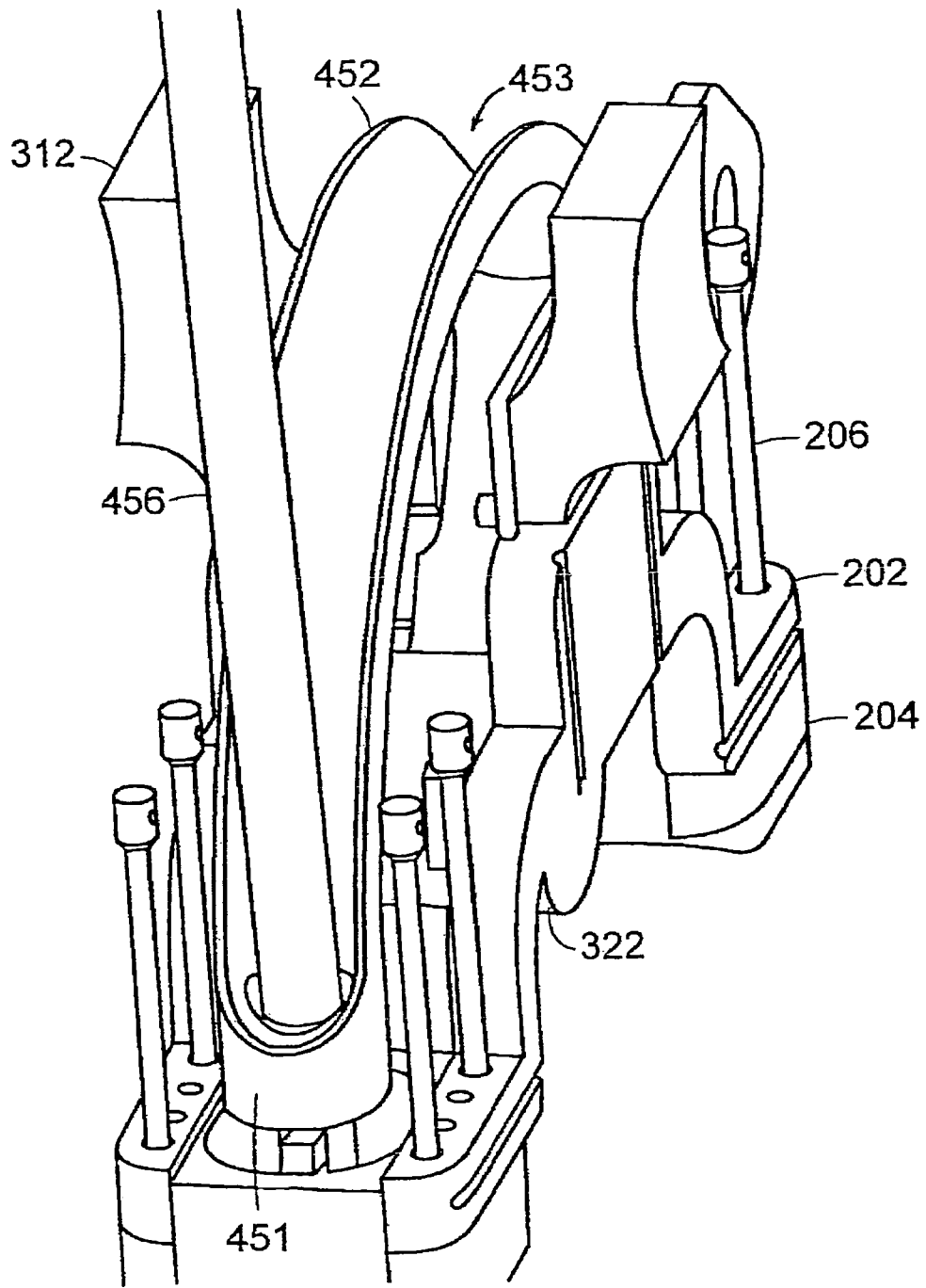


FIG. 18C

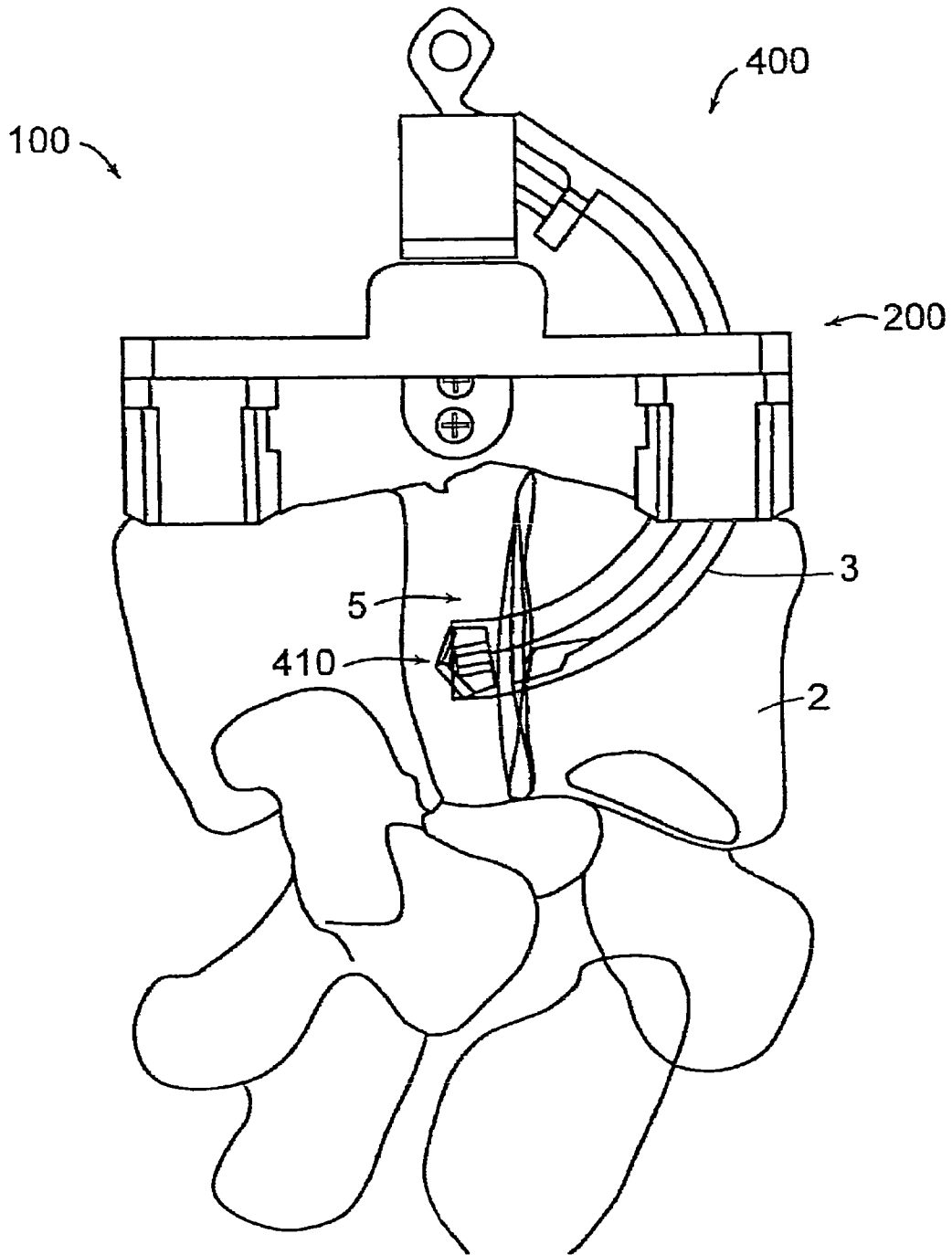


FIG. 19A

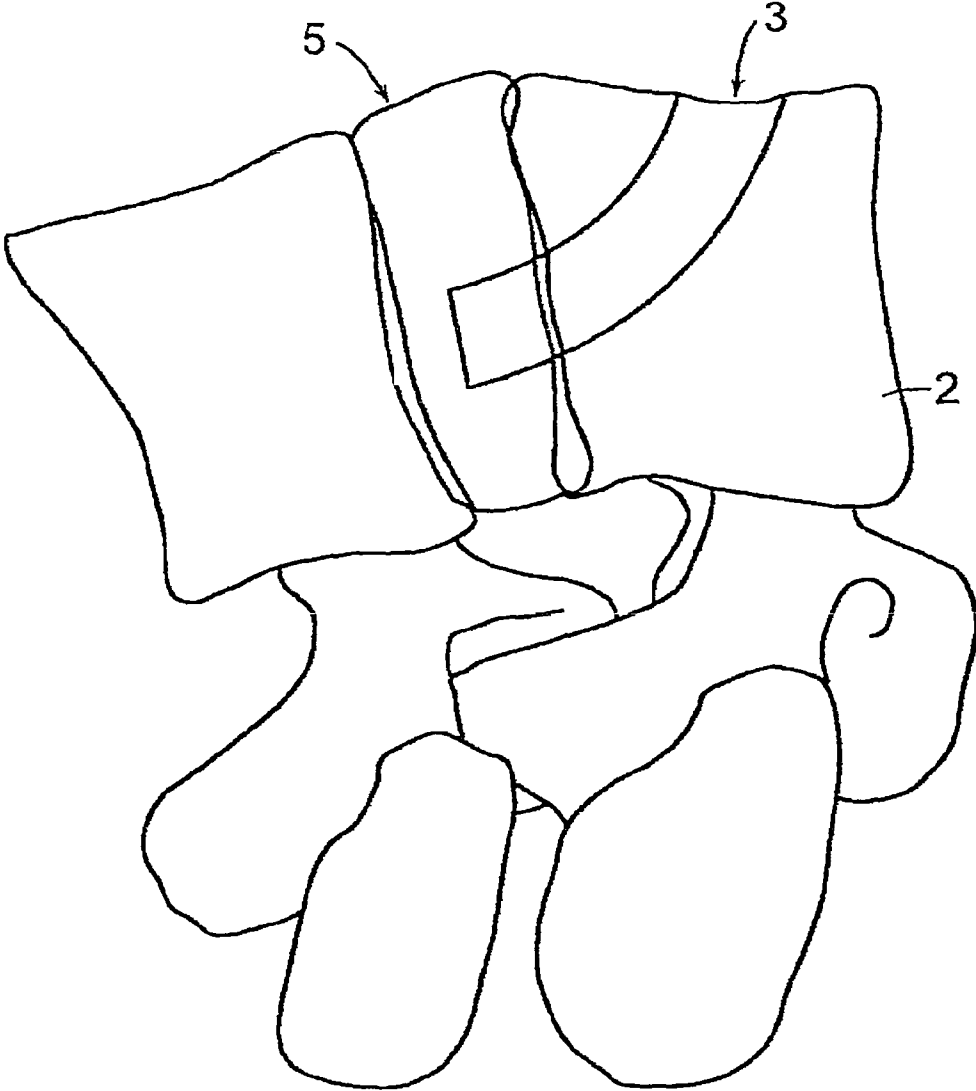


FIG. 19B

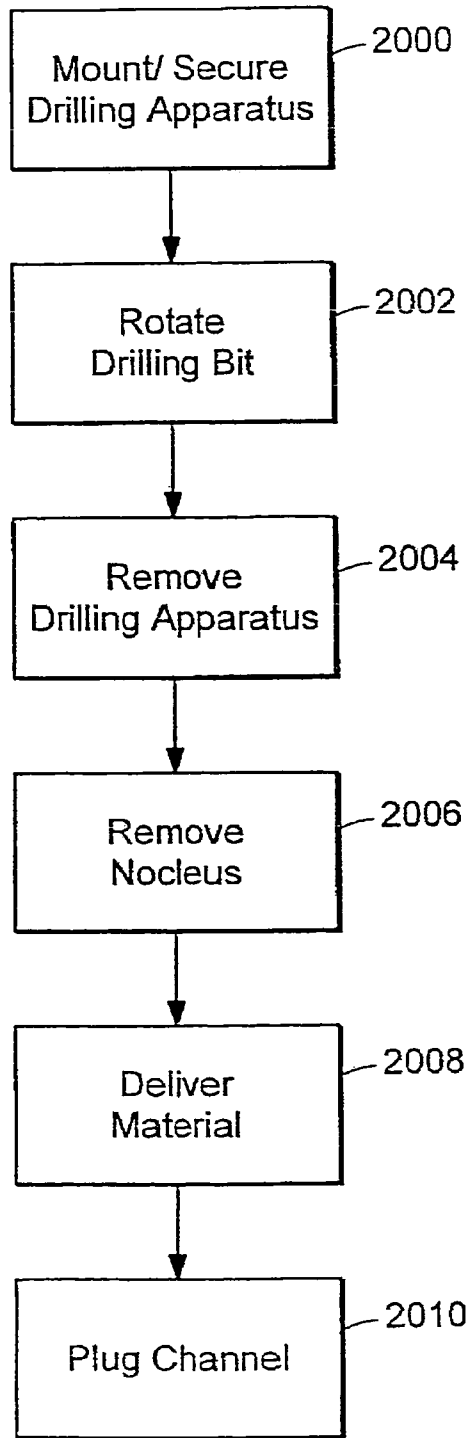


FIG. 20



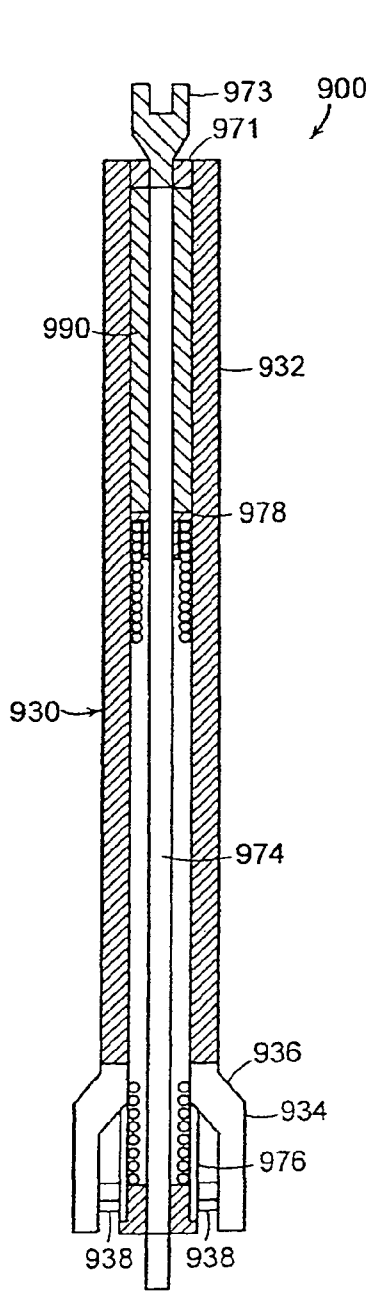


FIG. 21

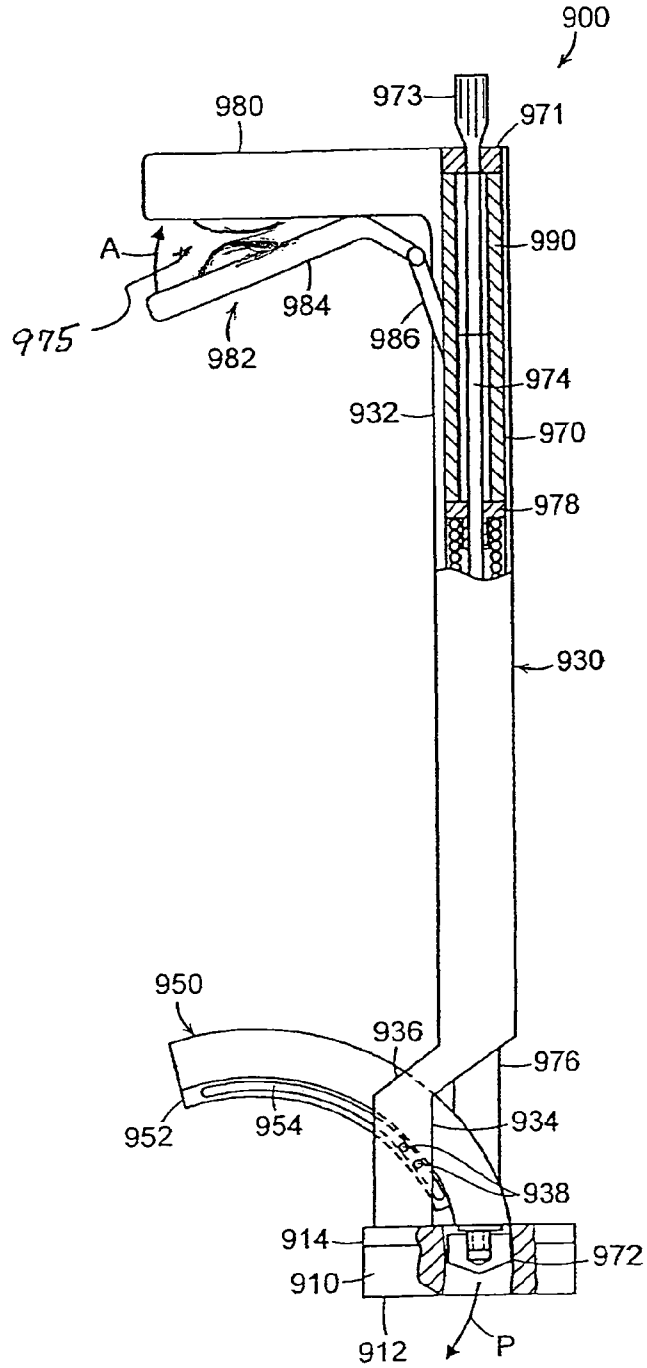


FIG. 22

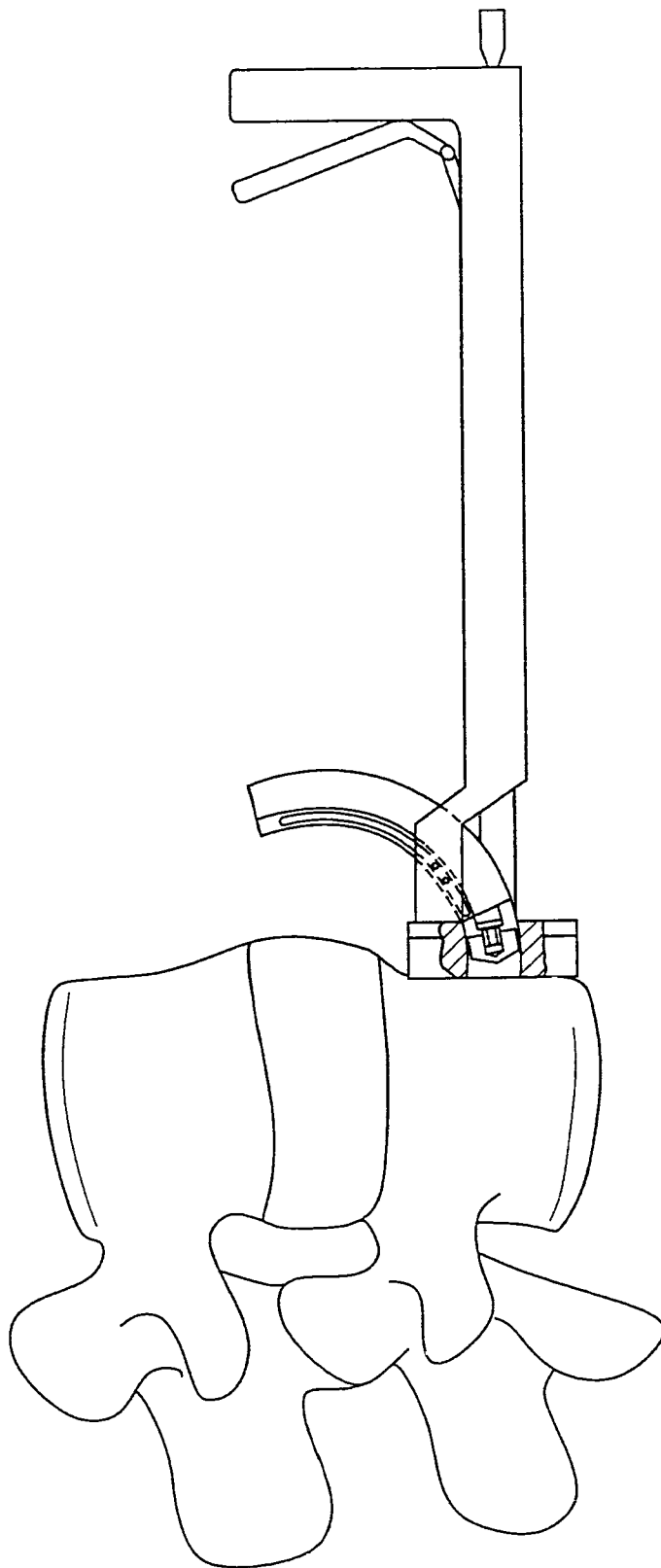


FIG. 23

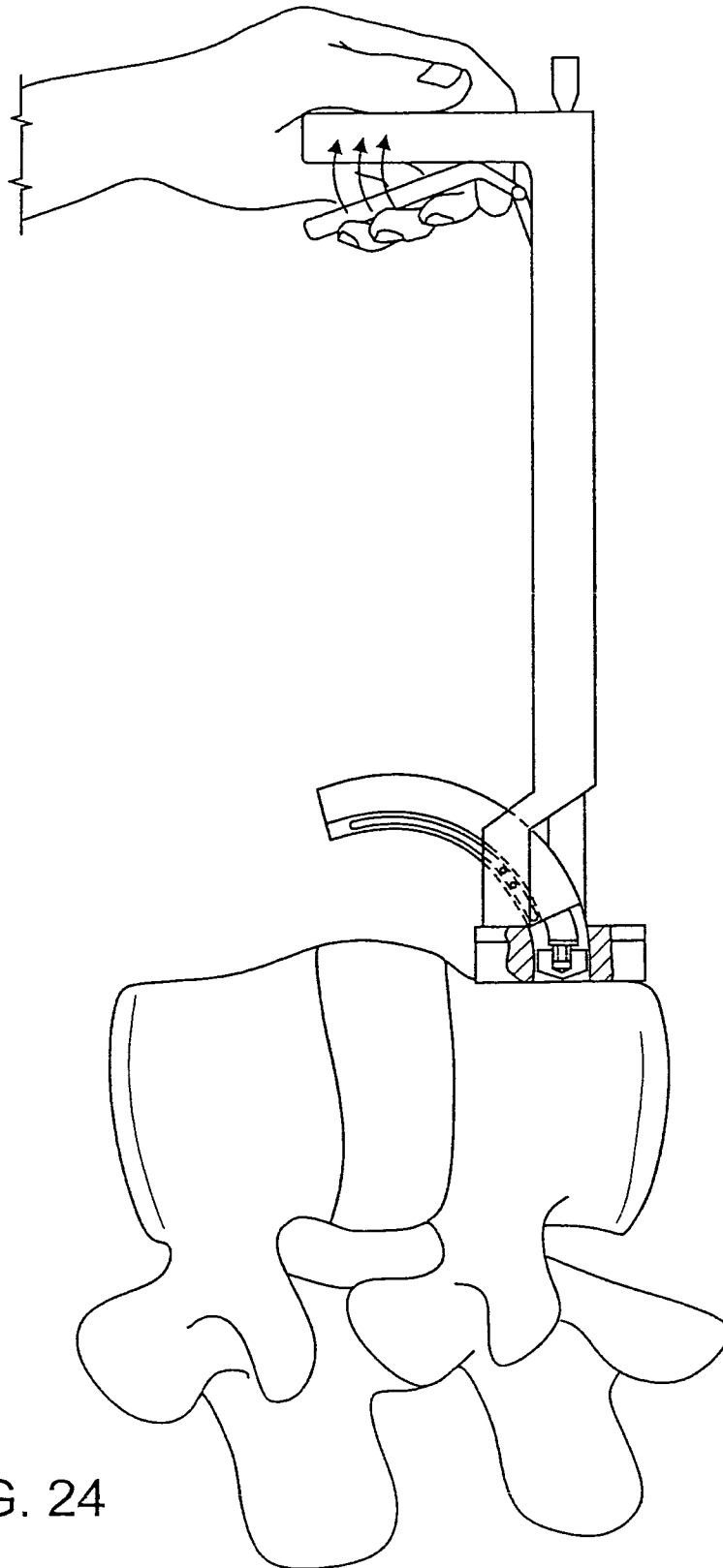


FIG. 24

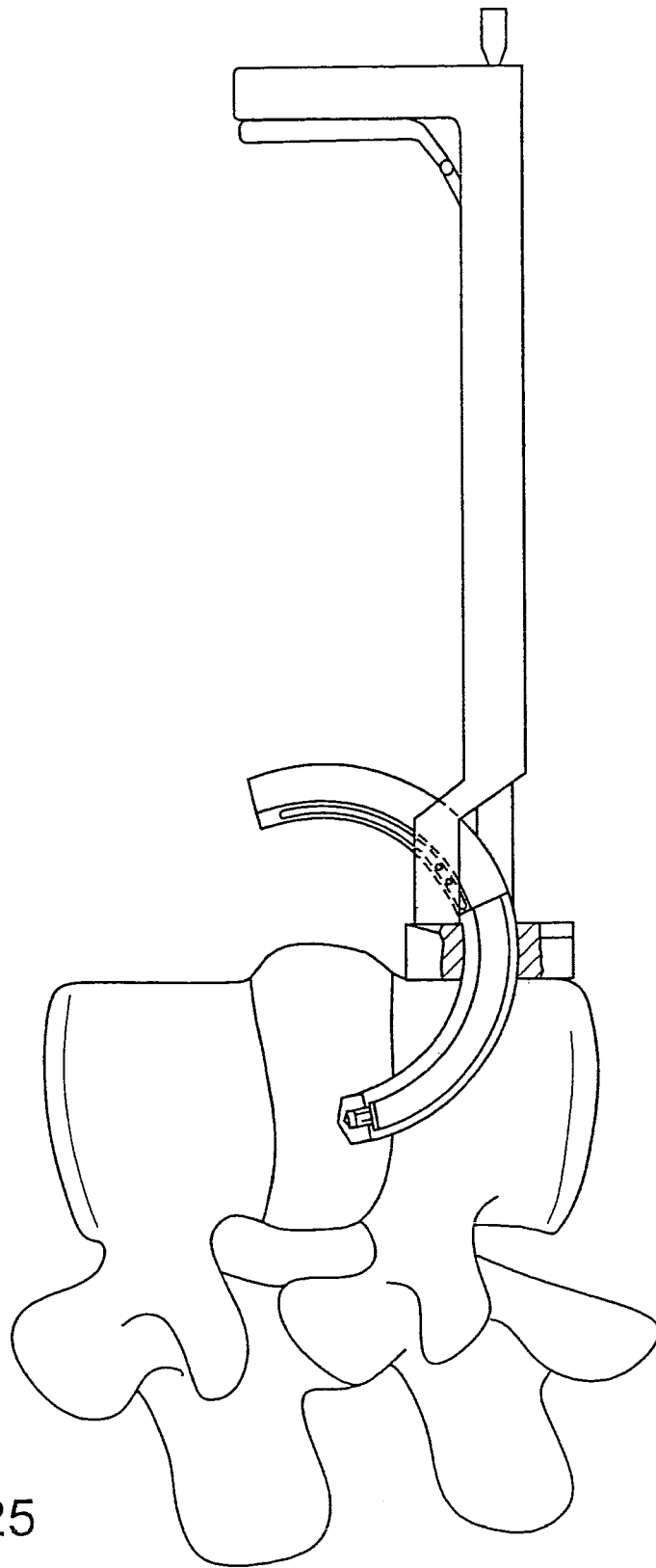


FIG. 25

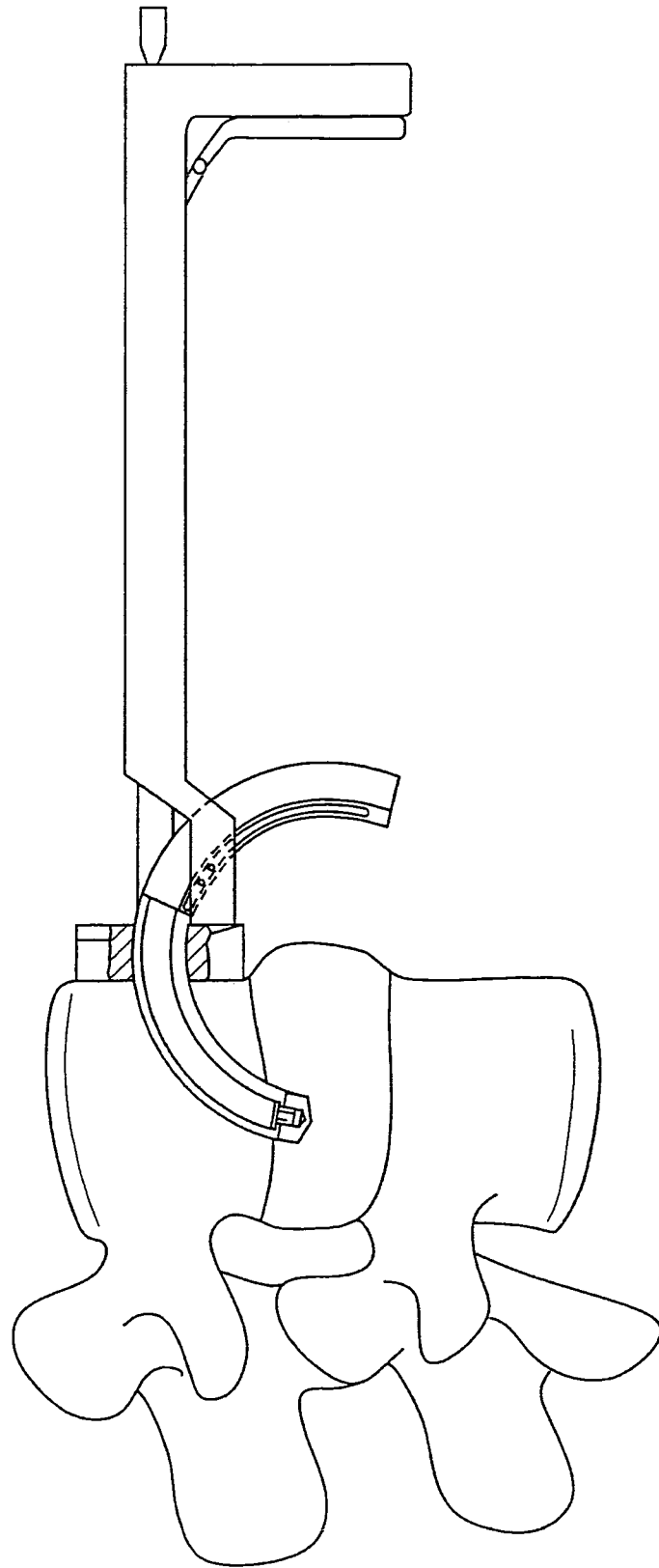


FIG. 26

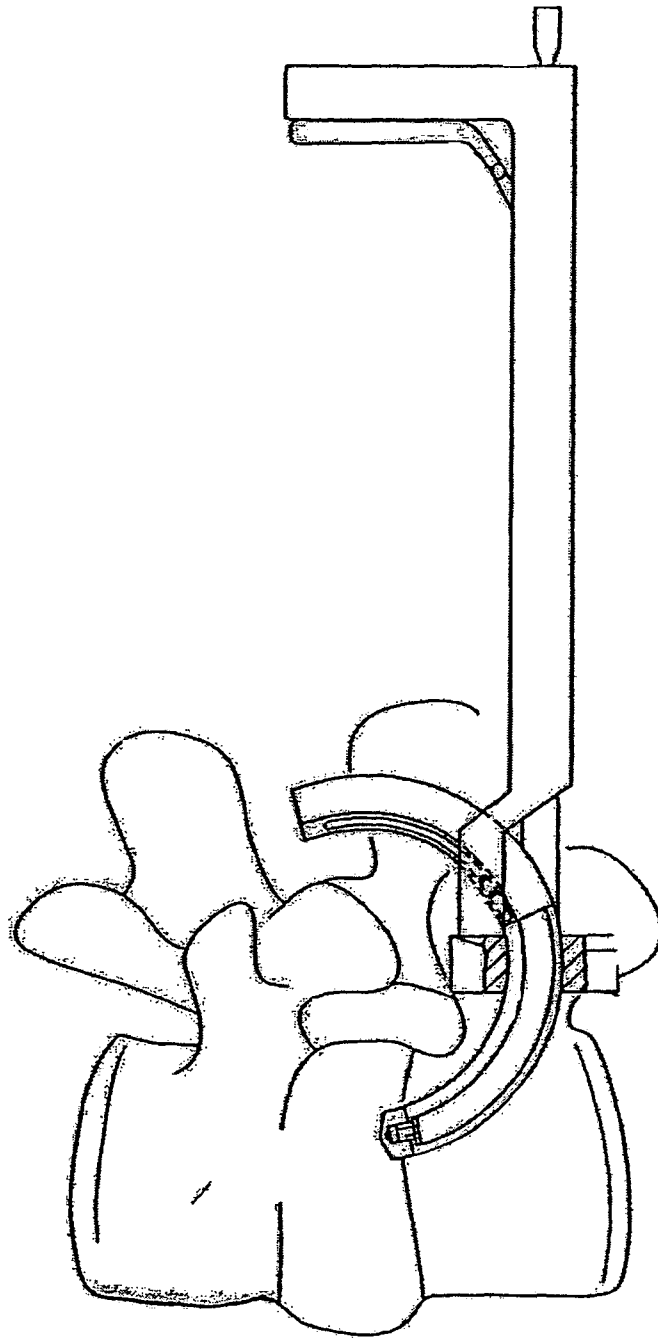


Fig. 27

**SYSTEMS, DEVICES AND APPARATUSES  
FOR BONY FIXATION AND DISK REPAIR  
AND REPLACEMENT AND METHODS  
RELATED THERETO**

**CROSS-REFERENCE TO RELATED  
APPLICATIONS**

This application claims the benefit of U.S. Provisional Application Ser. No. 60/754,843 filed Dec. 29, 2005, and is a continuation-in-part of U.S. patent application Ser. No. 10/968,867, filed Oct. 18, 2004, which claims the benefit of U.S. Provisional Application Ser. No. 60/512,134, filed Oct. 17, 2003, and the teachings of each of these applications are incorporated herein by reference.

**BACKGROUND OF THE INVENTION**

**1. Field of the Invention**

The present invention generally relates to methods, systems and apparatuses for bony fixation and more particularly to methods, systems and apparatuses adapted for use in fixing the bones of the spine. The present invention also generally relates to methods, systems and devices for augmenting, repairing or replacing the nucleus and/or annulus of an intervertebral disk of a spine, such as the spine of a mammalian body.

**2. Background of the Invention**

Fixation or fusion of vertebral columns with bone or material, rods or plates is a common, long practiced surgical method for treating a variety of conditions. Many of the existing procedures involve the use of components that protrude outwardly, which may contact and damage a body part, such as the aorta, the vena cava, the sympathetic nerves; the lungs, the esophagus, the intestine and the ureter. Also, many constructions involve components that may loosen and cause undesirable problems, often-necessitating further surgical intervention. Additionally, limiting the success of these procedures are the biomechanical features of the spine itself, whose structure must simultaneously provide support to regions of the body, protect the vertebral nervous system and permit motion in multiple planes.

As indicated above, spinal surgery for spine fusion generally involves using implants and instrumentation to provide support to the affected area of the spine while allowing the bones thereof to fuse. The technology initially evolved using bone chips around and on the top of an area of the spine that had been roughened to simulate a fracture in its consistency. The area, having encountered the bone chips, would then proceed to heal like a fracture, incorporating the bone chips. However, surgical procedures dealing with the spine present notable challenges. For example, bioengineers have been required to identify the various elements of the complex motions that the spine performs, and the components of the complex forces it bears. This complexity has made it difficult to achieve adequate stability and effective healing in surgical procedures directed to the spine.

One surgical technique provided by Cloward, involves cutting a dowel type hole with a saw across or through the moveable intervertebral disc and replacing it with a bone graft that was harvested from the hip bone. This procedure results in a fusion of the adjacent vertebral bodies and limits motion and mobility. However, as a result of the complex motions of the spine, it is often difficult to secure the dowel from displacing. Further, it has become apparent over time, however, that this particular technique does not always yield a secure fusion.

Other techniques have been developed that involve the placement of various hardware elements, including rods and hooks, rods and screws and plates and screws. The dowel technique also has advanced over the past five years or so, with dowels being fabricated from cadaver bone or metals such as titanium or stainless steel. These techniques, whether using hardware, dowels or some combination thereof, have a common goal to enhance stability by diminishing movement, thereby resulting in or enhancing the potential of a fusion of adjacent vertebral bones. For example, in one of these other techniques, the disc is removed and adjacent vertebrae are positioned in a stable position by placing a plate against and traversing them, which plate is secured or anchored to each by means of screws.

In another procedure, cages in the form of two parallel circular or rectangular devices are made out of a material such as titanium or stainless steel and these devices are fenestrated. Bone is packed in the center of the devices that will heal to adjacent bone through each fenestration. In this procedure, the disc space is distracted so all ligamentous structures are taut and the bones are held in their normal maximal position of distraction. Because the cages are implanted in spongy bone, they are more likely to collapse the surrounding bone, thus resulting in loss of distraction and subsequently cage dislodgment.

U.S. Pat. No. 5,591,235 reports a certain spinal fixation device and technique for stabilizing vertebrae. In this technique, a hollow screw is inserted into a hole, preferably a hole saw recess, in each adjoining vertebrae. A channel is cut into the vertebrae, which is lined up with corresponding axial slots in the screw. A rod is inserted into the channel and so as to pass through the axial slots in the screw. The rod is secured to each of the screws by means of a locking cap. The rod also is arranged so as to provide a bridge between the hollow screws in the adjoining vertebrae. Certain disadvantages have been surmised using such a device and technique. For example, it has become apparent that the trough in the vertebral bodies destabilizes some of the cortex of the vertebrae body wall, which is the strongest component.

In addition to fixation or fusion of vertebral columns, the prior art also describes methods or other spinal repair procedures, such as discectomy wherein an artificial disc or prosthetic device is placed within the vertebrae of the spine. For such prior art methods and related devices, there have been short comings such as having difficulty in securing the prostheses within the vertebral space or resulting in significant modification or damage to the load bearing surfaces of the vertebrae in an effort to secure the prosthesis.

Another method or other spinal repair technique involves augmentation of the nucleus of an intervertebral disk of the spine. The intervertebral disk is a flexible cartilaginous structure that is disposed between adjacent vertebrae. These disks form joints between the bodies of the vertebrae, which serve to unite adjacent vertebrae and to permit movement between them. These disks also play a role as shock absorbers when force is transmitted along the vertebral column during standing and movement.

Each disk is formed of two parts, a central mass called the nucleus pulposus (herein the nucleus) and a surrounding fibrous layer, the annulus fibrosus (herein the annulus). The nucleus has a semi-gelatinous consistency, which allows it to become deformed when pressure is placed upon it, enabling the disk to change shape as the vertebral column moves.

There is described in U.S. Pat. Nos. 5,047,055; 5,824,093 6,264,695; the teachings of which are incorporated herein by reference, various techniques and/or prosthetics for use in replacing or augmenting a spinal disc nucleus. Given the

structure of the disk and its location between adjacent vertebrae, it is not a simple task to access the nucleus for the insertion of such prosthetics or materials to augment the nucleus. One technique for accessing the nucleus contemplates using the defect in the annulus, however, in practice the defect usually needs to be enlarged to allow the insertion of the prosthetic. Another technique contemplates having the surgeon drill through one of the adjacent bodies using a lateral approach. This another technique relies heavily on the skill and dexterity of the surgeon not to damage surrounding tissues, nerves and blood vessels. Also, the hole formed by such drilling is not easily sealed because of its shape and configuration.

Conventional techniques relating to fixation of the spine and bony structure rely in great part on the skill and dexterity of the surgeon to control the devices and instrumentalities being used to protect surrounding tissues, muscles, nerves and blood vessels from damage during the procedure. This is so because the devices and/or instrumentalities that the surgeon uses during such techniques, themselves do not provide the surgeon with a mechanism to protect the tissues, muscles, nerves and blood vessels surrounding the treatment or target area within the body from coming into contact with the device or instrumentality during the procedure. Consequently, the surgeon must use surgical techniques to relocate tissues, muscles, nerves and blood vessels from the surgical field, if that is possible, and for those which it is not possible, the surgeon must take care in the use of the device or instrumentality to prevent injury. It should be recognized that the surgeon while inserting and retracting or removing the device or instrumentality from the bony structure or spine must exercise such care to prevent injury.

Thus, it would be desirable to provide a new apparatus, system and methods for bony fixation that enhances healing of the bone while providing structural support therefore. It would be particularly desirable to provide such an apparatus, system and method that would involve the use of open surgical or minimally invasive surgical techniques as well as a technique in which the implant burrows in the structure of the bone; more particularly a technique in which the implant burrows in the bone spine, traverses across the disk space, and ends in an adjacent or neighboring vertebrae or vertebrae, providing limited or no protrusions. It also would be desirable to provide such an apparatus, system and method where the implant is retained within the bone without requiring external fixation including contour-varying external vertebral wall fixation as compared to conventional devices, as such a device would avoid many of the problems associated with conventional devices such as blood vessel injury, erosion into organs, as well as placement near nerves. It also would be desirable for such apparatuses and systems to be adaptable for use in a wide range of procedures and techniques, including but not limited to augmentation of the nucleus such as by use of prosthetics.

Still further, there is a demand for a new apparatus or device for use in systems and methods for bony fixation or disc repair and augmentation which reduces the need to rely on the skill and dexterity of the surgeon to control such devices and instrumentalities. Moreover, prior known techniques for drilling into the bony structure of the spine utilize drill assemblies which are secured to at least two adjacent vertebrae. Such a mounting arrangement presents problems when attaching to adjacent vertebrae that are not positioned within the same plane due to the natural curvature of the spine. For example, when attempting to stabilize the spine in the lower lumbar region, often the drill must be mounted to the anterior portion of the L5 and S1 vertebrae. Therefore,

there it is desirable to provide an apparatus and methods for forming a channel or opening in one of adjacent segments of a bone or bony structure which can be mounted to a single bony structure or vertebrae of a spine.

#### SUMMARY OF THE INVENTION

The present invention features new methods, apparatuses and devices for fixing adjacent bone segments, segments of a bony structure and adjacent vertebrae of a spine. The methods, apparatuses and devices utilize new apparatuses for forming a channel in a surface of the bone or bony structure segments or adjacent vertebra or a channel submerged within the bone or bony structure segments or adjacent vertebra. In more particular embodiments such apparatuses and methods include forming an arcuate channel. Also the channel formed can receive therein a curved rod or implant member, which also preferably is arcuate, and avoids the associated problems with prior cage or straight rod and screw systems.

The present invention is directed to an apparatus for forming an arcuate channel in one or more segments of a bone, bony structure or adjacent vertebrae of a spine. The apparatus includes, inter alia, a base member which is positioned proximate to the surgical site, a mechanism for fixing the position of the base member relative to the bony, bony structure or vertebrae, a support arm, an arcuate guide member and a drill assembly. The base member has a distal surface adapted to allow placement of the base member proximal or adjacent to one of the bone, bony structure or vertebrae. The support arm extends proximally from the base member and the arcuate guide member is slidably mounted to the support arm.

The drill assembly is operatively coupled to the support arm and includes a drill bit attached to the distal end of a flexible drive cable. The flexible drive cable extends axially along the support arm and is axially and rotationally movable with respect thereto. In a representative embodiment, the support arm is tubular and the flexible drive cable extends substantially along the centerline of the support arm. The drill bit is operatively coupled to an end of the arcuate guide member such that when the drill assembly is moved distally the arcuate guide member slides with respect to the support arm and forces the drill bit to traverse an arcuate path. It is also presently envisioned that the drill assembly includes a flexible outer housing which surrounds the drive cable.

In representative embodiments, the arcuate guide member has a substantially U-shaped cross section in which the flexible outer housing of the drill assembly is disposed. Still further, the arcuate guide member can include first and second arms or rail members which depend from its bottom surface. Each rail member has an arcuate slot formed therein that is adapted to receive guide pins projecting from the support arm and allow the guide member to slide in an arcuate path relative thereto.

It is presently preferred that the support arm includes a handle attached to its proximal end. An actuator mechanism is associated with the proximal end of the support arm or handle for moving the drill assembly between a first position, wherein the drill bit is positioned outside of the bone, bony structure or vertebrae to a second position, wherein the drill bit is disposed within the bone, bony structure or vertebrae. In such embodiments it is considered advantageous to provide a biasing means for returning the drill assembly to the first position from the second position upon the completion of the drilling procedure.

It is also envisioned that the inventive apparatus disclosed herein can further include a mechanism for adjusting the location of the support arm and/or first position of the drill



5

assembly with respect to the base member. Preferably, the adjustment mechanism includes a lateral adjustment mechanism and an axial adjustment mechanism.

The base member can be fixed relative to one of the bone, bony structure or vertebrae using screws which extend through apertures formed in the base member and engage with one of the bone, bony structure or vertebrae.

In a preferred embodiment, the base member has a plurality of through apertures formed therein. In such an embodiment, the base member is configured and arranged so portions thereof proximal an exit of each of the plurality of through apertures contact at least a portion of a surface of the one of the bone, bony structure or vertebra so as to form an enclosed pathway from a top surface of the base to the surface of the one of the bone, bony structure or vertebra. In certain embodiments, the base member includes a soft conformable material on the distal surface thereof to effect a seal against the surface of the bone, bony structure or vertebrae.

The present invention is also directed to a method for forming a channel in one or more segments of a bony structure or adjacent vertebra of a spine. The inventive method includes the steps of, among others, positioning a frame assembly proximal the treatment or surgical site, securing the frame assembly to one segment of the bone or bony structure or adjacent vertebra; and rotating a drill bit in fixed relation to the support arm of the frame assembly. It is envisioned that the frame assembly includes a base member, a support arm extending proximally from the base member, an arcuate guide member slidably mounted to the support arm; and a drill assembly operatively coupled to the support arm which includes a drill bit. The method also includes the step of moving the drill assembly distally so that the arcuate guide member slides with respect to the support arm and forces the drill bit to traverse an arcuate path and form a channel in the surface or sub-surface of the bone, bony structure or vertebra.

Preferably, the step of securing the frame assembly to one segment of the bone or bony structure or adjacent vertebrae includes, mechanically engaging a securing mechanism to the frame assembly and to the adjacent segments of the bone or bony structure or adjacent vertebra, wherein the frame assembly is maintained in fixed relation by such mechanical engagement.

It is envisioned that in representative embodiments of the method, the base member includes a plurality of through apertures, each through aperture including a constricted portion and a plurality of securing members. The plurality of securing members are driven through the through apertures and the constricted portion and into the bone, bony structure or vertebra at the site. In such embodiments, the base member is secured in fixed relation to the bone, bony segments or vertebra by the engagement of the constricted portion with the securing member.

The method can further include the step of determining if the movement of the drill bit in a first direction formed one of a complete channel or a partial channel. In cases where it is determined that a partial channel was formed, the method includes the additional steps of detaching and re-attaching the support arm to the base member such that the arcuate guide member is moveable in a second direction that is different from the first direction and moving the drill bit in the second direction.

Preferably, representative embodiments of the disclosed method also includes the steps of locating an implant in the channel; and attaching the implant within the channel to the bone, bony structure or vertebrae. It is envisioned that the attaching includes securing the implant to the bone, bony structure or vertebra using a plurality of securing devices.

6

The present disclosure also is directed to a method for gaining access to the intervertebral disc space which includes the steps of, inter alia, positioning a frame assembly proximal the treatment or surgical site, securing the frame assembly to one segment of the bone or bony structure or adjacent vertebra; and rotating a drill bit in fixed relation to the support arm of the frame assembly. The frame assembly used in this method includes a base member, a support arm extending proximally from the base member, an arcuate guide member slidably mounted to the support arm; and a drill assembly operatively coupled to the support arm and including a drill bit.

The method also includes the step of moving the drill assembly distally so that the arcuate guide member slides with respect to the support arm and forces the drill bit to traverse an arcuate path to form the channel in the surface or sub-surface of the bone, bony structure or vertebra that communicates with the intervertebral disc space.

Also disclosed is a method for augmenting the nucleus of a disk between vertebral endplates of adjacent vertebral bodies of a spine. The disk augmentation method preferably includes the steps of: positioning a frame assembly proximal the adjacent vertebral bodies and securing the base member of the frame assembly to a single vertebral body. The frame assembly including a base member, a support arm extending proximally from the base member, an arcuate guide member slidably mounted to the support arm, and a drill assembly operatively coupled to the support arm and including a drill bit.

The method also includes the steps of rotating a drill bit in fixed relation to the frame assembly; moving the drill assembly distally so that the arcuate guide member slides with respect to the support arm and forces the drill bit to traverse an arcuate path to form an arcuate preformed aperture in one of the adjacent vertebral bodies that extends through the vertebral endplate of the spine and into the nucleus of the disk, inserting nucleus augmentation material through the preformed aperture and into the nucleus of the disk; and filling at least a portion of the preformed aperture with a non-compressible material.

Preferably, the method step of inserting nuclear augmentation material includes inserting a nucleus prosthetic through the preformed aperture and into the nucleus. It is further envisioned that the method can include the steps of; inserting an annular closure mechanism through the preformed aperture; and positioning the closure mechanism proximal the annulus defect, thereby closing the defect.

The present disclosure also is directed to a system for forming an arcuate channel in one or more segments of a bone, bony structure or adjacent vertebrae of a spine. The disclosed system includes a base member having a distal surface adapted for placement adjacent to one of the bone, bony structure or vertebrae; a mechanism for securing the base member to one of the bone, bony structure or vertebrae; a support arm extending proximally from the base member. Further, an arcuate guide member having a substantially U-shaped cross-section is slidably mounted to the support arm. The system also includes a drill assembly operatively coupled to the support arm which includes a drill bit attached to the distal end of a flexible drive cable which extends axially along the support arm and is axially and rotationally movable with respect thereto. Preferably, the drill bit is operatively coupled to an end of the arcuate guide member such that when the drill assembly is moved distally the arcuate guide member slides with respect to the support arm and forces the drill bit and a portion of the flexible drive cable to traverse an arcuate path.

In further aspects of the present invention, there are featured systems, apparatuses and methods for augmenting, repairing or replacing the nucleus and/or the annulus that embody selected aspects of the frame, base, support arm, guide member and drill assembly herein described, as well as, other such systems and apparatuses described in U.S. Pat. Nos. 6,607,530 and 6,923,811, the teachings of which are incorporated herein by reference. In such systems, apparatuses and methods, the drill is rotated as described herein to form a channel or passage through one of the vertebrae that is adjacent to the disk to be repaired so that the nucleus of the disk can be accessed through the vertebral end plate. The size of the channel or passage formed can be controlled so as to provide the desired or needed amount of access for the surgeon to insert for example, the material or prosthetic into the nucleus as well as other devices or mechanisms (e.g., a patch) that can be used to form a seal or closure at the defect on the annulus. Such control is achieved for example, by adjusting the size of the drill bit to fit a given application. Such a disk repair procedure also can include sealing of the channel, passage or hole formed in the vertebrae using any of a number of techniques known to those skilled in the art, such as for example, inserting bone or bony material into the channel.

It should be recognized that the drilling apparatus, methods and systems of the present invention can be used anteriorly or posteriorly (e.g., transpedicularly or translaterally) and such that the drill bit of such systems, devices or apparatuses can penetrate or enter the vertebral body through the pedicles.

Other aspects and embodiments of the invention are discussed below.

#### BRIEF DESCRIPTION OF THE DRAWING

For a fuller understanding of the nature and desired objects of the present invention, reference is made to the following detailed description taken in conjunction with the accompanying drawing figures wherein like reference character denote corresponding parts throughout the several views and wherein:

FIG. 1 is a side view of a drilling apparatus according to an aspect of the present invention;

FIG. 2 is one perspective view of the drilling apparatus of FIG. 1;

FIG. 3 is another perspective view of the drilling apparatus of FIG. 1;

FIGS. 4A,B are various perspective views of the pivot arm assembly of the drilling apparatus of FIG. 1;

FIG. 5 is a perspective view of the pivot arm of the pivot arm assembly;

FIG. 6 is a perspective view of the drill assembly of the drilling apparatus and a drive motor connected thereto;

FIG. 7 is a cross-sectional side view of the drill assembly of FIG. 6;

FIG. 8 is a side view of the bit, bearing and drive cable sub-assembly of the drill assembly;

FIG. 9 is a cross-sectional view of the drill assembly end including the bit, illustrating another exemplary bit;

FIG. 10A is a side view of a nail removal tool according to one embodiment of the present invention;

FIG. 10B is an end view of the nail removal tool;

FIG. 11 is a perspective view of the nail removal tool mounted on the platform assembly of the drilling apparatus;

FIG. 12 is a side view with a partial cut away of a nail drive tool according to an embodiment of the present invention;

FIGS. 13A-L are illustrations of the process for forming a recess in adjacent vertebral bodies;

FIGS. 14A-D are illustrations of the process for implanting or attaching a curved rod across the adjacent vertebrae;

FIGS. 15A-H are illustrations of the process for forming a through aperture in adjacent vertebral bodies;

FIG. 15I is an illustrative view of adjacent vertebral bodies illustrating the fixed cutting depth aspect yielded by the drilling apparatus of the present invention;

FIGS. 16A-C are illustrations of the process for implanting or attaching a curved rod in the through aperture and across the adjacent vertebrae;

FIG. 17 is a side view of a drilling apparatus according to another aspect of the present invention illustrated disposed upon adjacent vertebral bodies;

FIG. 18A is a perspective view of drilling apparatus according to yet another aspect of the present invention;

FIG. 18B is side view of the drilling apparatus of FIG. 18A;

FIG. 18C is another perspective view from a different perspective of the drilling apparatus of FIG. 18A;

FIG. 19A is a perspective view of a portion of a spine on which is mounted a drilling apparatus of the present invention for creating a channel, passage or hole for a disk repair procedure;

FIG. 19B is a perspective view of the portion of the spine illustrating the channel, passage or hole through an adjacent vertebrae allowing access to the nucleus;

FIG. 20 is a flow diagram briefly describing a disk repair procedure according to the present invention;

FIG. 21 is a front view of an alternative drilling apparatus for forming an arcuate channel in one or more segments of a bone, bony structure or adjacent vertebrae of a spine;

FIG. 22 is a side view of the drilling apparatus of FIG. 21;

FIGS. 23-26 illustrate a method of use for the drilling apparatus of FIGS. 21 and 22; and

FIG. 27 illustrates a method of use for the drilling apparatus of FIGS. 21 and 22 when situated on the posterior aspect of the spine.

#### DETAILED DESCRIPTION OF THE PREFERRED EMBODIMENTS

Referring now to the various figures of the drawing wherein like reference characters refer to like parts, there is shown in FIGS. 1-3 various views of a drilling apparatus 100 according to an aspect of the present invention that is generally comprised of a platform assembly 200, a pivot arm assembly 300 and drill assembly 400. As hereinafter described in more detail, the pivot arm assembly 300 is removably secured to the platform assembly 200 and the platform assembly is removably secured to the bone or bony structure so as to maintain the pivot point of the pivot arm assembly in general fixed relation to the bone or bony structure. The drill assembly 400 is removably secured to the pivot arm assembly 300 so as to maintain the end of the drill assembly including the bit 410 or drill end in fixed relation with respect to the pivot arm 302 of the pivot arm assembly. Consequently, as the pivot arm 302 is rotated about the pivot point, the bit 410 follows a predetermined arcuate, curved or circular path in the bone or bony structure as defined by the length of the pivot arm.

For purposes of illustrating the drilling apparatus 100 of the present invention, reference hereinafter is generally made to the structure and structural features or elements of a mammalian spine, however, this shall not be construed as limiting the use and application of the drilling apparatus of the present invention to these applications. It is contemplated and as such within the scope of the present invention to adapt the drilling apparatus of the present invention and the methods related

thereto so the drilling apparatus is used so as to form grooves or arcuate passages in bones or bony structures of the mammalian body in which grooves is received a curved rod or other member as is hereinafter described thereby stabilizing and/supporting the bone or bony structure.

The platform assembly **200** includes a frame **202**, a plurality of first path guards **204** and a mechanism for securing the frame to the bone or bony structure. In the illustrated embodiment, the securing mechanism comprises a plurality of nail members **206** that each pass respectively through each of the frame **202** and the first path guards and so as to be disposed in the bone or bony structure as herein described. In further embodiments, and as hereinafter described, the platform assembly **200** can further include a second path guard **204b**, in cases where the drilling apparatus **100** is used to form a groove or recess in an outer surface of the bone or bony structure thereby providing a protective structure between the moving and rotating drill bit **410** and the tissues or other structures or features of the mammalian body (e.g., nerves, blood vessels) that are proximal the bone or bony structure outer surface.

The frame **202** is configured and arranged so as to form an essentially rigid structure and frame work to which the pivot arm assembly **300** is removably attached and at least one and more particularly two through passages **210** that communicate with a corresponding passage in the first path guards **204**. The through passages **210** and the corresponding passage in the first path guards **204** are each configured and arranged so as to allow the outer tube member **402** of the drill assembly to pass there through as the pivot arm **302** is being rotated or pivoted about the pivot point. The frame **202** is composed of any one of number of materials known to those skilled in the art that is appropriate for the intended use and the anticipated structural loads that can be imposed during use. In an exemplary embodiment, the frame **202** is made from stainless steel such as a stainless steel bar stock.

The first path guards **204** are secured to the frame **202** so as to extend downwardly from a bottom surface **210b** therefrom. Each of the first path guards **204** are arranged so as to include a generally centrally located through passage, through which the outer tube member **402** and the drill bit **410** or burr of the drill assembly **400** are passed. In addition, each of the first path guards **204** are configured and arranged so as to include a plurality of through passages **220**, one for each of the nail members **206**. Each of the nail member through passages **220** also are preferably formed in the first guard member so as to present constricted holes that firmly grab the nail member within the corresponding through passage. In this way, the gripping action of the through passages and the lateral stiffness of the nail members **206** provides a mechanism for supporting and fixing the frame **202**, and in turn the pivot point's relation with respect to the bone, bony structure or spine. In use, each of the nail members **206** are passed through the through aperture **208** in the frame **202** and driven through the through passage **220** of the first path guard **204**.

In more particular embodiments, each through passage **220** is configured and arranged so that the passages are oversized with respect to the diameter of the nail members **206** and a portion of the through passage forms a land or raised region comprising a constriction region. More particularly, the constricted region is located above or from the lower end of the through passage such that the pointed ends of each nail member **206** are not exposed when the nail members **206** are initially pressed into the platform assembly **200**. In this way, each of the nail members **206** are confined within the first path

guard **204** prior to positioning of the platform assembly **200** in the surgical field amidst vital structures or features of the mammalian body.

The first path guards **204** are constructed from any of a number of materials known to those skilled in the art that are appropriate for the intended use and so as to provide a medium that can form a protective barrier between the drill path and the tissues including nerves and blood vessels that are proximal the site of the bone, bony structure or spine to be drilled. In exemplary embodiments, the first path guards **204** are made from a plastic material such as, but not limited to, polycarbonate. In further embodiments, the end of the first path guard **204** proximal the bone, bony structure or spine is configured and arranged so as to include a soft conformal region that contacts and seals against the surface of the bone, bony structure or spine. Alternatively, a conformable material may be disposed in the space, if any, between the base or bottom surface of each first path guard **204** and the opposing surface of the bone, bony structure or spine (e.g., vertebral cortex).

The nail members **206** are configured and arranged so that each extends from a top surface **210a** of the frame **200**, through the frame and the first path guard **204** and a sufficient distance into the bone, bony structure or spine to fix and secure the frame thereto. In addition, each of the nail members **206** also is configured and arranged so at least a portion thereof has a diameter that is set so that this portion of the nail member is gripped within the constricted region of the through passage **220** of the first path guards **204** as herein described.

Each of the nail members **206** includes a head portion **230** and a shaft portion **232** one end of which is mechanically coupled to the head portion using any of a number of techniques known to those skilled in the art that yields a nail member that is capable of being driven into the bone, bony structure or spine and removed therefrom. In further embodiments, the nail member **206** is formed such that the head portion **230** is integral with the shaft portion **232**. In particular embodiments, the head portion **230** is configured and arranged so as to allow the nail member **206** to be driven through and into the bone, bony structure or spine and later removed therefrom. In further embodiments, the head portion **230** is further configured so as to include a through aperture or hole extending generally laterally or radially through the head portion, the through aperture being configured to receive one or more suture lines therein for interoperative locating.

The other end of the shaft portion **232** is configured so as to form a pointed end that is appropriately configured and shaped for insertion into the bone, bony structure or spine and for securing the pointed end and a portion of the shaft member in such bone, bony structure or spine. In illustrative embodiments, the pointed end is configured to form a non-cutting pencil point end that wedges the end into the bone, bony structure or spine.

In the illustrated embodiment, four nail members **206** are driven through each of the first guard members **204** and into the bone or bony structure or spine. This shall not be construed as a limitation as the number and placement of the nail members is not so particularly limited as each end of the frame **202** can be secured to the bone or bony structure using one or more and more particularly two or more nail members **206**. It also should be recognized that other mechanisms known to those skilled in the art, such as screws or threaded devices, are contemplated for use with the present invention.

Each of the nail members **206** is composed of any one of number of materials known to those skilled in the art that is appropriate for the intended use and the anticipated structural

loads that can be imposed during use. In an exemplary embodiment, the nail member **206** is made from a metal such as stainless steel.

Referring now also to FIGS. 4-5, the pivot arm assembly **300** includes a radial arm or pivot arm **302**, a pivot pin bracket **304** and a pivot pin **306**. The pivot pin bracket **304** includes side plates **310** and finger pads **312** that are secured to the side plates, where the pivot pin extends between the side plates. The pivot pin **306** is received within an aperture **320** in the pivot arm such that the pivot arm can rotate about a pivot axis **321**.

The pivot pin bracket **304**, more particularly the side plates **310** thereof, is generally configured and arranged so as to secure the pivot arm assembly **300** to the platform assembly **200** so as to prevent the disengagement of the pivot arm assembly and correspondingly the drill assembly **400** from the platform assembly when it is being rotated from the fully retracted position of the pivot arm. More particularly, the side plates thereof are configured and arranged such that the bracket can be removed from the platform assembly **200** when the pivot arm is in the fully retracted position.

In particular embodiments, the side plates **310** are configured so as to form spring members that can slide in mating grooves provided on opposing inside surfaces of the platform assembly frame **202**. In addition, the side plates **310** further include binding head screws that engage complimentary holes within the mating grooves to lock the pivot pin bracket **304** in place. A finger pad **312** is secured to an end of each side plate so as to facilitate placement and removal of the pivot pin bracket **304** in the platform assembly. In illustrative embodiments, the finger pads **312** are configured with so as to include concavities **313** that the fingertips of the user can engage to thereby facilitate placement and removal of the pivot pin bracket **304**.

The pivot arm **302** is configured and arranged so an end **322** thereof includes an aperture **320** so the pivot arm can be mounted upon the pivot pin **306** such that it can rotate or swing about the pivot pin **306**. The pivot arm **302** also is configured and arranged so as to include a mating portion **324** that receives therein and mates with a feature of the drill assembly **400** so as to removably secure the drill assembly to the pivot arm. The mating portion **324** is located distal from the end **322** of the pivot arm **302** that is mounted upon the pivot pin **306**. Also, the length of the pivot arm **304**, more particularly the distance between the pivot axis **321** and the mating portion **324**, establishes or controls the radius of curvature of the hole or recess being formed in the bone, bony structure or spine by the rotation of the pivot arm. It should be noted that this radius of curvature or diameter is different from the diameter of the hole or recess formed by the rotating drill bit **410** or bur. As such, it is contemplated that pivot arms **302** will be provided that have lengths set that are appropriate for the given geometry and physical make-up of the mammalian body.

The platform assembly **200** and pivot arm assembly **300** of the present invention advantageously creates a mechanism that allows tissue, muscle, blood vessels (e.g., aorta) and nerves to pass under and around the platform assembly and also to localize the drilling elements of the drill assembly **400** within the structure of the platform assembly. In addition, the pivot arm assembly **300** in combination with the platform assembly provides a mechanism to control the radial movement or radial motion of the drilling elements of the drill assembly **400** from their insertion into the bone or bony structure as well as the retraction from the bone or bony structure such that the drilling elements traverse a specific radius of curvature during such insertion and retraction. In

this way, the drilling apparatus of the present invention also controls the maximum depth within the bone or bony structure the drilling elements can attain during use.

Thus, and in contrast to conventional techniques, devices and instrumentalities, the drilling apparatus **100** of the present invention provides a mechanism that protects tissues, blood vessels and nerves from damage while the drilling elements of the drill assembly **400** are being inserted into and withdrawn from the bone or bony structure as well as assuring that the drilling elements will follow a generally fixed path such that the drilling elements do not come into contact with nor damage the tissues, blood vessels and nerves proximal to and surrounding the bone or bony structure while the hole or recess is being formed in the bone or bony structure. Consequently, the drilling apparatus **100** of the present invention minimizes the potential for damage without having to rely solely on the dexterity or skill of the surgeon, as is done with conventional techniques and devices.

In further embodiments, at least a segment or a part of the mating portion **324** is configured and arranged so as to complement the shape of the drive assembly feature being received therein. For example, and as illustrated, a portion or part of the key **404** of the drill assembly is configured so as to be polygonal in shape and the mating portion **324** is configured so as to include a polygonal shaped recess for receiving therein the hexagonal surfaces of the key. Such polygonal shapes includes but are not limited to a square, triangular, rectangular or hexagonal shapes.

In yet further embodiments, the pivot arm **302** is configured and arranged so as to include a finger grip **326** at or proximal an end of the pivot arm that is opposite to the end **322** mounted upon the pivot pin **306**. The finger grip **326** presents a structural element or feature that is configured to allow the thumb and/or fingers of the user to grasp the finger grip so as to thereby control rotation of the pivot arm and to also control the drilling pressure (i.e., pressure being exerted by the drill bit **410** on the bone or bony structure while drilling the hole or recess therein). In illustrated embodiments, the finger grip **326** presents a small tab having bilateral concavities that allow the finger tips to grasp it or a through aperture.

Each of the pivot arm **302**, pivot pin **306**, side plates **310** and finger pads **312** is composed of any one of number of materials known to those skilled in the art that is appropriate for the intended use and the anticipated structural loads that can be imposed during use. In an exemplary embodiment, any one or more of the foregoing elements of the pivot arm assembly **300** is made from a metal such as stainless steel.

Referring now also to FIGS. 6-7 there is shown a perspective view and a cross-sectional view of drill assembly **400** of the present invention. There also are shown in FIGS. 8-9 various views of portions or segments of such a drill assembly and/or embodiments thereof. The drill assembly **400** generally forms a curved structure, more particularly a curved tubular structure, that is attached to the pivot arm **302** as herein described and which thus swings around the pivot point or pivot axis **321**. In use, the drill bit **410** rotates about its axis while this axis is held tangent to and swept along an arc of constant radius as defined by the distance between the mating portion **324** of the pivot arm **302** and the pivot axis **321**. This movement results in or yields a toroidal hole.

The drill assembly includes an outer tube member **402**, a key **404**, a flexible inner housing **406**, a drive cable **408**, a drill bit **410** or burr, a barbed fitting **412**, a drive adapter **414**. In further embodiments, the drill assembly includes a distal drive cable bearing **416** and a proximal drive cable bearing **418**. Any one of a number of motors **20** or motor drive assemblies as is known in the art having sufficient power (e.g.,

torque) and rotational speed are coupled to the drive adapter **414** including but not limited to the Micro100 (Linvatech/Hall Surgical 5053-009) or Blachmax (Anspach Blackmax-KT-0). The drive adapter **414** is a swage-type of fitting that is configured and arranged so it can be swaged upon one end of the drive cable **408**. The drive adapter **414** also is configured and arranged so as to provide an input end arrangement that can be mechanically coupled to the output end of a variety of motors or motor drive assemblies or drills including those identified herein.

The outer tube member **402** is curved to a predetermined radius of curvature so that the centerline thereof is a set distance from the pivot axis **321** of the pivot arm **302**. The key **404** and the distal cable bearing **416** are secured to the outer tube using any of a number of techniques known to those skilled in the art that is appropriate for the materials comprising these elements or features. In exemplary embodiments, the key **404** and the distal cable bearing **416** are secured to the outer tube member by brazing or soldering. In more particular embodiments, the distal drive cable bearing **416** is secured to the outer tube member **402** such that the outer edge of the outer race of the bearing lies in a radial plane from the pivot point, whereby the axis of the drill bit **410** or burr is arranged so as to tangent to the centerline of the arc of the outer tube member.

The key **404** is generally cylindrical in construction and serves to align and anchor the outer tube member **401** to the pivot arm assembly **300**, more particularly the pivot arm **302**. As indicated herein, a portion **405** of the key **404** is configured so as to provide a surface feature, artifact or contour that complements at least a part of the mating portion **324** of the pivot arm. In the illustrated embodiment, the portion **405** of the key **404** forms an external polygonal feature that mates to the internal polygonal feature provided in the pivot arm mating portion. The key **404** also is configured and arranged so as to be secured to the mating portion using any of a number of techniques known to those skilled in the art. In an exemplary embodiment, a portion of the key is configured so as to include an external thread and a part of the mating portion **324** is configured so as to include a complementary threaded element or feature in an aperture thereof. In use, the key is articulated so as to threadably secure or lock the key **404** to the pivot arm **302**. Other techniques for securing, such as brazing, soldering and adhesives are contemplated for use with the present invention.

The key **404** includes a through aperture that is coupled to the inner region or area of the outer tube member **402**. The diameter of the key through aperture and the outer tube member are set so as to at least allow the flexible inner housing **406** and the drive cable **408** to pass there through. The flexible inner housing **406** extends from the distal end **401** of the outer tube member **402** to the barbed fitting **412**. The flexible inner housing **406** is a generally tubular member of flexible construction, such as Teflon for example, for housing the drive cable **408**. In particular embodiments, the flexible inner housing **406** is a small diameter tubular member (i.e., smaller than the inner diameter of the outer tube member) and is secured to the key **404** using any of a number of techniques known to those skilled in the art, which are appropriate for the materials of use. In an exemplary embodiment, the flexible inner housing is secured to the key **404** using an adhesive, such as a medical grade adhesive.

The barbed fitting **412** is secured to the end of the flexible inner housing that is opposite to the drill bit **410** using any of a number of techniques known to those skilled in the art, which are appropriate for the materials of use. The end of the barbed fitting **412** being secured to the flexible inner housing

**406** also is received within the flexible inner housing. In particular embodiments, the barbed fitting **412** is configured and arranged so the end being received in the flexible inner housing **406** is secured thereto by an interference fit. In further exemplary embodiments, the interference fit is augmented by use of an adhesive, such as a medical grade adhesive.

The proximal drive cable bearing **418** is disposed within the barbed fitting **412** in which is received the drive cable **408**. In particular embodiments, the proximal drive cable bearing **418** is retained within the barbed fitting **412** using any of a number of techniques known to those skilled in the art. In an exemplary embodiment, the proximal drive cable bearing is secured to the barbed fitting using one of soldering, brazing or adhesives.

The distal and proximal drive cable bearings **416**, **418** are any of a number of bearing assemblies known to those skilled in the art and appropriate for the intended use. In particular embodiments, the distal and proximal drive cable bearing **416**, **418** are miniature ball bearing assemblies as is known to those skilled in the art (e.g., SR133zz MSC 35380799, 0.9375" bore, 0.1875" OD, 0.0937" width, double shielded).

In an alternative embodiment, the inner housing is a double curved inner tube of a fixed non-flexible construction. The double curved inner tube has two radii of curvature, the first radius of curvature involves all but the most distal section of the inner tube and the second radius of curvature involves a smaller portion of the inner tube. The second radius of curvature is set so as to bring the path of the drive cable **408** around so as to enter the proximal end of the distal drive cable bearing **416** in the correct direction. In this way, the fixed inner tube can be configured and arranged so as to swing wide and make a turn to enter essentially parallel to the axis of an end fitting being swaged to the end of the inner tube. In this way, fatiguing of the drive cable **408** can be minimized and misalignment of the drive cable and the inner tube proximal the end of the inner tube can be minimized.

Although specific embodiments are described herein for the outer tube member **402** and the inner tube member or flexible inner housing **406** this shall not be considered as particularly limiting. The present invention contemplates adapting the present invention using any of a number of techniques known to those skilled in the art whereby a cable is generally turned through a protected series of rigid or flexible cannulas or tubes such that a bit operably coupled to one end of the cable can turn at an end of the outer tube or cannula.

The drill bit **410** or burr is any of a number of cutting tools or implements known to those skilled in the art and appropriate for the intended use, speed and power developed by the drive motor **20** and the material to be drilled. In particular illustrative embodiments, the drill bit **410** or burr is a spade bit such as that shown in FIGS. **6-8**, alternatively and with reference to FIG. **9**, the drill bit is a hemispherical bit **410a**.

The drive cable **408** is a flexible cable that is more particularly comprised of a large number of smaller strands of an appropriate material, including but not limited to steel, stainless steel, and titanium, that are compound wound using any of a number of techniques known to those skilled in the art so as to yield a flexible cable having the desired width, length, flexibility and strength characteristics. In a particularly illustrative embodiment, the drive cable **408** is a custom wound 1.8 mm (0.072 in.) diameter 7×19 left regular lay strand wound cable. In more particular aspects, the drive cable **408** is manufactured so as to be capable of being rotated or turned at a high rate of speed or revolution while maintaining its

flexibility and such that right hand turning of the cable should not result in the unwinding or loosening of construction.

In particular embodiments, the length ("Ldc") of the drive cable **408** shall be controlled so as to maintain a relationship with the length of the portion of the drive cable ("Ldci") that is disposed within the outer cannula or outer tube **402** or correspondingly the arc length of the outer tube. In more particular embodiments, the relationship between the length of the drive cable **408** and the length of the portion of the drive cable within the outer tube **402** satisfies the following relationship  $Ldc \leq 4 \times Ldci$ ; more particularly satisfies the relationship  $Ldc \leq 3 \times Ldci$ , and more specifically satisfies the relationship  $Ldc \leq 2 \times Ldci$ . In more specific embodiments, the length of the drive cable **408** is set based on the particular application or material to be drilled. For example, the overall cable length is shortened or lengthened based on the relative hardness of the material in which the channel or opening is to be formed in the bone or bony structure. In further embodiments, the flexible inner housing **406** is configured and arranged so as to have a length that satisfies the foregoing relationships.

Referring now to FIG. **17** there is shown a side view of a drilling apparatus **1000** according to another aspect of the present invention that is illustrated being disposed upon adjacent vertebral bodies. Reference shall be made to FIGS. **1-3** and **6-9** and the discussion related thereto for features and functions not provided in the following discussion. Such a drilling apparatus **1000** includes a platform assembly **1200** and a drill assembly **1300**.

The platform assembly **1200** includes a frame member **1202** and a plurality of path guard members **1204** and a mechanism for securing the frame to the bone or bony structure. As with the drilling apparatus illustrated in FIG. **1**, the securing mechanism comprises a plurality of nail members **206** that each pass respectively through each of the path guard members **1204** so as to be disposed in the bone or bony structure as herein described. In further embodiments, and as hereinafter described, the platform assembly **1200** can further include a second path guard **205**, in cases where the drilling apparatus **1000** is used to form a groove or recess in an outer surface of the bone or bony structure thereby providing a protective structure between the moving and rotating drill bit **410** and the tissues or other structures or features of the mammalian body (e.g., nerves, blood vessels) that are proximal the bone or bony structure outer surface.

The frame member **1202** and the first guard members **1204** are configured and arranged so as to form an essentially rigid structure and frame work to which the drill assembly **1300** is removably attached and at least one and more particularly two through passages **1205**. Each of the through passages **1205** are configured and arranged so as to allow the outer tube member **402** of the drill assembly **1300** to pass there through as drill bit **410** is being rotated or pivoted about the pivot point. The frame member **1202** is composed of any one of number of materials known to those skilled in the art that is appropriate for the intended use and the anticipated structural loads that can be imposed during use. In an exemplary embodiment, the frame member **1202** is made from stainless steel such as a stainless steel bar stock.

The first path guard members **1204** are secured to the frame member **1202** using any of a number of techniques known to those skilled in the art so that the through aperture **1205** extends downwardly towards a bottom surface thereof. As indicated above, the through passage **1205** in each of the first path guard members **1204** are arranged so the outer tube member **402** and the drill bit **410** or burr of the drill assembly **1300** are passed there through. In addition, each of the first

path guard members **1204** are configured and arranged so as to include a plurality of through passages, one for each of the nail members. Reference shall be made to the foregoing discussion for the nail member through passages **220** of FIG. **1** for further detail and characteristics of these nail member through apertures.

The frame member **1202** also is configured and arranged so as to provide a mechanism for guiding the drill assembly **1300** such that the drill bit **410** thereof follows a predetermined arc or radius of rotation. In illustrative embodiments, the frame member **1202** is configured so as to include a web portion **1210** that extends width wise along the circumferential length of the frame member. In further embodiments, the frame member **1202** is configured and arranged so as to form a step region or a discontinuous radial region **1212** at the ends of the frame member proximal the first guard members **1204** so as to form in effect a radial stop.

The drill assembly **1300** generally forms a curved structure, more particularly a curved tubular structure, that is coupled to the frame member **1202** as herein described and which thus swings around a pivot point or pivot axis that is defined by the frame member **1202**. In use, the drill bit **410** rotates about its axis while this axis is held tangent to and swept along an arc of constant radius as defined by the pivot pint. This movement results in or yields a toroidal hole in the bone or bony structure.

The drill assembly includes an outer tube member **402**, a key **404**, a flexible inner housing **406**, a drive cable **408**, a drill bit **410** or burr, a barbed fitting **412**, a drive adapter **414** and moveable mount member **1310**. In further embodiments, the drill assembly includes a distal drive cable bearing **416** and a proximal drive cable bearing **418**. As indicated above reference shall be made to FIGS. **1-3** and **6-9** for details and characteristics of the drill assembly **1000** not otherwise shown in FIG. **17** or described hereinafter.

The moveable mount member **1310** includes a frame member mounting portion **1312** and a drill assembly mating portion **1314** that form an integral structure. The frame member mounting portion **1312** is configured and arranged so as to be slidably mounted upon the frame member **1202**, more specifically the web portion **1210** thereof. Thus, motion of the frame member mounting portion **1312** along the circumference of the frame member **1202** causes the drill bit **410** to in effect rotate about a fixed point, the pivot point defined by the arcuate portion of the frame member.

As with the mating portion **324** of the pivot arm **302**, the drill assembly member mating portion **1314** is configured and arranged so as to receive therein the drill assembly key **404**. Reference shall be made to the discussion herein for the pivot arm mating portion **324** and the drill assembly key **404** for further details and characteristics of the drill assembly mating portion **1314**.

In further embodiments, the moveable mount member **1310** is configured and arranged so as to include a finger grip **1316** at or proximal an end of the mount member **1310** that is opposite to the end frame member **1302**. The finger grip **1316** presents a structural element or feature that is configured to allow the thumb and/or fingers of the user to grasp the finger grip so as to thereby control movement of the moveable mount member **1310**, rotation of the drill bit **410** and to also control the drilling pressure (i.e., pressure being exerted by the drill bit **410** on the bone or bony structure while drilling the hole or recess therein. In illustrated embodiments, the finger grip **1316** presents a small tab having bilateral concavities that allow the finger tips to grasp it or a through aperture.

In an alternative embodiment, the frame member **1202** is configured and arranged so as to comprise two sub-members

being spaced from each other. The two sub-members further include a slot or other feature in opposing surfaces of the sub-members, which slot or other feature extends in the circumferential direction. In this embodiment, the frame mounting portion **1312** of the movable mount member **1310** is configured and arranged so as to be received in and slide within the slot in each of the opposing surfaces. In this way, the drill bit **410** can be rotated about a fixed point defined by the circumferentially arranged slots in the two sub-members. The foregoing is illustrative of a couple of techniques for configuring the frame member **1302** and the frame member mount portion **1312** so the drill bit **410** can be rotated about a fixed point being defined by the structure of the frame member, however, the foregoing shall not be considered limiting as it is within the scope of the present invention to adapt the drilling apparatus of the present inventions so as to provide a mechanism by which the drill bit can be rotated about a fixed point and/or such that the drill bit follows a fixed path during the drilling process.

Referring now to FIGS. **18A-C** there are shown various views of a drilling apparatus **100a** according to yet another aspect of the present invention that is generally comprised of a platform assembly **200**, a pivot arm assembly **300a** and a drill assembly **400a**. Reference shall be made to FIGS. **1-9** and the discussion related thereto for features and functions in common with the above-described drilling apparatus **100** shown thereon and not more particularly provided in the following discussion or shown in FIGS. **18A-C**. Reference also shall be made to FIGS. **1-9** and the discussion related thereto for details concerning the removably attachment of the pivot arm **300a** to the platform assembly **200** and the removably securing of the platform assembly **200** to the bone or bony structure.

The pivot arm assembly **302a** includes a radial arm or pivot arm **302a**, a pivot pin bracket **304** and a pivot pin **306**. The pivot pin bracket **304** includes side plates **310** and finger pads **312** that are secured to the side plates, where the pivot pin extends between the side plates. The pivot pin **306** is received within an aperture **320** in the pivot arm **302a** such that the pivot arm can rotate about a pivot axis **321**. The pivot arm **302a** is configured and arranged so as to include a mating portion **324a** that is distal from the end **322** of the pivot arm that is mounted upon the pivot pin. In further embodiments, the pivot arm includes a finger grip **326a**. Reference shall be made to the foregoing discussion for FIGS. **1-9** for further details of the pivot pin bracket **304**, the pivot pin **306**, and certain features of the pivot arm **302a** not described further below. Reference also shall be made to the discussion above for the pivot arm **302** and the finger grip **326** for further details regarding the construction other characteristics for the pivot arm **302a** and finger grip **326** features not expressly described below or shown in FIGS. **18A-C**.

The drill assembly includes a curved or arcuate member **452**, a drive cable **456**, a drill bit **410** or burr, a drive adapter **414** and a distal drive cable bearing **416**. Reference shall be made to the foregoing discussion for FIGS. **1-9** for further details of the drill bit **410**, the drive adapter **414** and the distal drive cable bearing **416** not otherwise provided below or shown on FIGS. **18A-C**. Reference also shall be made to the discussion above for the drive cable **408** for further details regarding the construction, width and other features not expressly described below.

As indicated herein any one of a number of motors **20** or motor drive assemblies as is known in the art having sufficient power (e.g., torque) and rotational speed are coupled to the drive adapter **414** including but not limited to the Micro100 (LinvaTech/Hall Surgical 5053-009) or Blackmax (Anspach

Blackmax-KT-0). The drive adapter **414** is a swage-type of fitting that is configured and arranged so it can be swaged upon one end of the drive cable **456**. The drive adapter **414** also is configured and arranged so as to provide an input end arrangement that can be mechanically coupled to the output end of a variety of motors or motor drive assemblies or drills including those identified herein.

The pivot arm mating portion **324a** is secured to a portion of the drill assembly curved or arcuate member **452** using any of a number of techniques known to those skilled in the art that are appropriate for the use and materials used in the construction of these features. In a specific embodiment, the arcuate member **452** is removably secured to the pivot arm-mating portion **324a** (e.g. mechanical fasteners, adhesives) and in other embodiment the arcuate member is secured to the pivot arm-mating portion (e.g., adhesives, soldering, brazing) so as to form an integral structure. In further embodiments, at least a segment or portion of the pivot arm-mating portion **324a** is configured and arranged so as to complement the shape of the portion of the arcuate member **452** being received therein. For example and as illustrated in FIGS. **18A-B**, the arcuate member **324** also has a curved or arcuate cross-section. Thus, the pivot arm mating portion **324a** is configured so as to receive therein a curved member having a curved or arcuate cross section. This shall not be considered limiting as the arcuate member **452** can be configured and arranged so as to have any of a number of external cross-sectional shapes.

As indicated above, the arcuate member **452** forms a curved structure that is attached to the pivot arm **302a** as herein described and which thus swings around the pivot point or pivot axis **321**. In use, the drill bit **410** rotates about its axis while this axis is held tangent to and swept along an arc of constant radius as defined by the distance between the mating portion **324a** of the pivot arm **302a** and the pivot axis **321**. This movement results in or yields a toroidal hole.

The arcuate member **452** is curved to a predetermined radius of curvature so that the centerline thereof is a set distance from the pivot axis **321** of the pivot arm **302a**. In further embodiments, the arcuate member **452** is a tubular like member having a portion of the tubular structure removed so the arcuate member **452** includes a dished area or depressed region **453** in which is received the drive cable **456** as hereinafter described. In an illustrative embodiment, the dished area or depressed region **453** is generally curved or circular in cross-section as more clearly illustrated in FIGS. **18A, C**. This, however, shall not be limiting as other geometric shapes are within the scope of the present invention that do not unduly impair the rotational capability of the drive cable **456** when received in the depressed region **453**. In further embodiments, the dished area or depressed region **453** of the arcuate member **452** is sized and arranged so as to be capable of removably receiving therein the drive cable **456** and, more particularly so external surfaces of the drive cable are within an envelope or boundary defined by the depressed region **453** of the arcuate member.

The distal end **451** of the arcuate member **452** provides a structure in which the distal cable bearing **416** can be secured therein using any of a number of techniques known to those skilled in the art that is appropriate for the materials comprising these elements or features. In exemplary embodiments, the distal cable bearing **416** is secured within the arcuate member distal end **451** by brazing or soldering. Such a structure also provides a fixed point of attachment for the drive cable **456** such that that end of the drive cable and the drill bit **410** moves with the rotation of the arcuate member about the pivot axis **321**. In more particular embodiments, the distal

drive cable bearing **416** is secured within the arcuate member **452** such that the outer edge of the outer race of the bearing lies in a radial plane from the pivot point, whereby the axis of the drill bit **410** or burr is arranged so as to be tangent to the centerline of the arc of the arcuate member.

When drilling of an aperture or hole in the bone or bony structure is desired, the surgeon or medical personnel applies a force to the finger portion **326a** so as to cause the arcuate member **452** to rotate about the pivot axis **321** and so as to cause the distal end **451** of the arcuate member to also rotate about the pivot axis. As the arcuate member distal end **451** rotates through the platform assembly **200**, the drive cable **456** also is drawn along with the distal end and also is received in the depressed region **453** of the arcuate member (e.g., as the cable passes below the platform assembly **200**). In this way, the rotating drive cable **456** is caused to lie within the depressed region **453** while the drive cable **456** is disposed within the bone or bony structure as the channel or aperture is being formed in the bone or bony structure as hereinafter described.

The arcuate member **452** according to this aspect of the present invention minimizes stress on the drive cable and reduces the amount of access required by the surgeon to perform the surgical procedure. The arrangement, however, also yields an apparatus that advantageously creates a mechanism that allows tissue, muscle, blood vessels (e.g., aorta) and nerves to pass under and around the platform assembly **200** and also to localize the drilling elements of the drill assembly **400a** within the structure of the platform assembly. In addition, the pivot arm assembly **300a** in combination with the platform assembly **200** provides a mechanism to control the radial movement radius or motion of the drilling elements of the drill assembly **400a** from their insertion into the bone or bony structure as well as the retraction from the bone or bony structure such that the drilling elements traverse a specific radius of curvature during such insertion and retraction. In this way, the drilling apparatus **100a** according to this aspect of the present invention also controls the maximum depth within the bone or bony structure the drilling elements can attain during use.

Thus, and in contrast to conventional techniques, devices and instrumentalities, the drilling apparatus **100a** of the present invention provides a mechanism that protects tissues, blood vessels and nerves from damage while the drilling elements of the drill assembly **400a** are being inserted into and withdrawn from the bone or bony structure as well as assuring that the drilling elements will follow a generally fixed path such that the drilling elements do not come into contact with nor damage the tissues, blood vessels and nerves proximal to and surrounding the bone or bony structure while the hole or recess is being formed in the bone or bony structure. Consequently, the drilling apparatus **100a** of the present invention minimizes the potential for damage without having to rely solely on the dexterity or skill of the surgeon as is done with conventional techniques and devices.

Upon completion of the procedure involving use of the drill assembly **100** of the present invention, and as described herein, the nail members **206** are acted upon so as to remove each of the nail members from the bone or bony structure or spine. This removal can be accomplished using any of a number of techniques or devices known those skilled in the art. In particular embodiments of the present invention, and with reference to FIGS. **10A,B**, there is shown a side view and an end view respectively of a nail member removal device **500** according to the present invention. Reference also should be made to FIG. **11**, which illustrates the removal technique using such a nail member removal device **500**.

The nail member removal device **500** includes a block member **502** and a knurled screw member **506**. The block member **502** includes a through passage that extends lengthwise in the block member so as to form a saddle structure that can straddle and slide along side rails **203** of the frame **202**. In further embodiments, the block member **502** includes a slotted passage **512** that extends from a bottom surface to a top surface of the block member and extends partially lengthwise to a surface of the through aperture **504** or hole that is formed in the block member. The slotted passage **512** also is generally sized so to allow the block member to slide past the head portion **230** that is sticking up above the top surface **210a** of the frame, more particularly the side rails thereof.

The threaded aperture **504** or hole is positioned within the block member **502** so that it can be centered over one of the head portions **230** of the nail members **206**. In use, the nail members **206** are typically driven into the bone or bony structure such that a bottom surface of the head portion **230** is proud of or above the frame top surface **210a**. As such a lower portion of the knurled screw member **506** is machined so as to include a side pocket **514** therein. The side pocket **514** is made in the screw member **506** so as to have sufficient depth (e.g., width) and length to accommodate the head portion coaxially therein. The bottom segment of the screw member **506** also includes a notch that extends generally radially to allow the nail member shaft portion **232** to be received therein and so as to be also coaxial with the screw member.

In particular embodiments, when the screw member **506** is rotated in one direction (e.g., clockwise) the side pocket **514** can be aligned with the slotted through passage **512** and thus be ready to receive therein a nail member head portion **230**. The block member **502** is slide along the frame side rail **203** until the head portion is contained within the side pocket **514**. After the head portion is disposed in the side pocket, the screw is rotated in the opposite direction (e.g., counterclockwise) thereby causing the screw to rotate in an upwardly direction drawing the notched bottom surface of the side pocket into contact with the bottom surface of the head portion. When the notched bottom surface of the side pocket **514** engages the bottom surface of the head portion, continued rotation of the screw member **506** also causes the head portion to be moved upwardly. In this way, the pointed end of the shaft portion is withdrawn from the bone or bony structure.

In more particular embodiments, the block member **502** and the slotted passage **512** therein are formed such that a portion of the block member is disposed over an end portion of the end rail of the frame **203**. This establishes a configuration whereby the pulling load is applied between two support points, thereby minimizing the potential for tipping of the nail member removal device **500** due to unbalanced force couples.

As indicated herein, prior to use of the drilling capabilities of the drilling assembly **100** of the present invention, the nail members are driven into contact with the constricted regions of the first path guards **204** and into engagement with the bone or bony structure or spine. This driving of the nail members can be accomplished using any of a number of techniques or devices known those skilled in the art. In particular embodiments of the present invention, and with reference to FIG. **12** there is shown a side view with a partial cut-away of a nail member drive tool **600** according to the present invention.

The drive tool **600** is a generally cylindrical member having a blind hole **602** or aperture in one end thereof. The blind hole **602** is sized so as to receive therein a head portion **230** of a nail member **206**. The drive tool **600** is constructed so that an impact load, such as that imparted by a hammer, at the opposite end **604** thereof drives the nail member **206** disposed in



the blind hole **602**. In further embodiments, the blind hole **602** also is sized so as to generally prevent the tool from slipping off the head portion. In yet further embodiments, the depth of the blind hole **602** is set so that the bottom surface of the head portion **230** remains a predetermined distance above the frame top surface **210a** so as to allow the head portion to be later received in the side pocket of the screw member **506** of the nail member removal device **500**.

As indicated herein the drilling apparatus **100** of the present invention is adaptable for use for forming recesses or holes in bones, bony structures or the spine of a mammalian body. The following describes the use of the drilling apparatus in connection with two different techniques (i.e., anterior approach and medial approach) for forming a recess or an aperture in adjacent vertebral bodies of a spine. Although the following discussion specifically refers to the drilling apparatus **100** shown in FIG. 1 it shall be understood that the below described techniques can be used in conjunction with the drilling apparatus **1000**, **100a** shown in FIGS. 17-18 as well as other embodiments of such apparatuses **100**, **100a**, **1000**. Referring now to FIGS. 13A-L there is shown a series of views illustrating the process for the anterior approach. Reference shall also be made to FIGS. 1-11 and 17-18 and the discussion related thereto for features and functions not provided in the following discussion.

The area of concern is exposed by a surgeon using one of a transperitoneal or retroperitoneal approach, as shown in FIG. 13A and a discectomy is performed at the level to be instrumented and immobilized. After placing a support (e.g., a femoral ring allograft) in the disc space, lateral stabilization is performed (see FIG. 13B).

The drilling apparatus frame **202** is aligned such that it is vertical in an anteroposterior orientation and placed as far lateral as possible on the anterolateral aspect of the vertebrae across the operative level. Temporary placement pins **700** are driven into the vertebral cortex to hold the frame **202** in place while creating the channel or recess. In addition, the present invention contemplates the addition of a second path guard **204b** that extends between the first path guards **204**. The second path guard **204b** is arcuate or curved having a radius that generally corresponds to the path of the drill bit **410**. The second path guide **204b** also is configured so as to extend outwardly from the vertebral cortex so as to provide a barrier between the drill bit travel path and tissues, nerves and blood vessels proximal the site. The second path guard **204b** is constructed of similar materials as the first path guards **204**. See FIGS. 13D-E.

When the frame **202** is positioned in the intended fashion, the pivot arm assembly **300** is located and secured within the frame **202**, thereby also securing the drill assembly **200** in the frame. See FIG. 13E. The drive motor **20** or drive motor assembly is then secured to the adapter **414**. The pivot arm **302** is then positioned so the drill assembly/drill bit is in the starting position so the channel or recess can be cut. See FIG. 13F.

The drill motor **20** is started so as to cause the drill bit **410** to rotate at the desired speed and power, and the pivot arm **302** is rotated about the pivot point thereby causing the drill bit **410** to rotate in a predetermined direction in a downward, circular path as dictated by the frame and the pivot arm. The resulting cut should be made immediately adjacent to the lateral vertebral surface. This cut is complete when the drill bit **410** reaches the disc space as shown in FIG. 13G.

Once the first half of the channel is cut, and with the drive motor **20** turned off and/or disconnected from the adapter **414**, the pivot arm is rotated in the opposite direction to return it to the starting position, where the pivot arm assembly **300**

can be removed from the frame **202**. After removing the pivot arm assembly **300** from the frame **202**, the pivot arm assembly is flipped to the opposites side of the frame and reconnected to the frame. In this way, a matching channel can be cut into the other vertebra adjacent to the operative level. See FIG. 13H. As with the first cut, the drive motor **20** is turned on and the pivot arm rotated so the drill bit **410** follows a downward, circular path. After the second half of the channel has been cut, the pivot arm is returned to the starting position and the pivot arm assembly **300** is removed from the frame **202**. See FIGS. 13I-J.

The temporary placement pins **700** are removed from the vertebral bodies and the frame **202** is removed from the operative site (see FIG. 13K) and a standard osteotome chisel can be used to remove any remaining bone from the channel edges so that the channel is open to receive or accept the curved rod.

Now with reference with FIGS. 14A-D there is shown the process for placing, positioning and attaching or implanting a curved rod **800**, including those described in any of U.S. Pat. Nos. 6,607,530 and 6,923,811, the teachings of which are incorporated herein by reference. The curved rod **800** is positioned in the channel and secured to the vertebral bodies using interlocking screws **802**, **804** that traverse the rod and penetrate the vertebra at an angle that will avoid sensitive neurologic structures. The screws hold the curved rod **800** in place and stabilize the motion segment to facilitate healing of the bone within the disc space.

Two lateral screws **802** pass through the lateral holes of the curved rod and set on the lateral surface of the implant. The two end screws **804** are passed through the open ends of the curved rod and each is inserted until the screw head is contained within the hollow of the implant. The lateral and end screws are inserted using for example a Cardan screwdriver **806**. As shown in FIGS. 14C-D the curved rod is now securely in place in either of the recess (FIG. 14C) or a surface-mounted configuration (FIG. 14D).

Referring now to FIGS. 15A-H there is shown a series of views illustrating the process for the medial approach. Reference shall also be made to FIGS. 1-11 and 17-18 and the discussion related thereto as well as for FIGS. 13-14 for features and functions not provided in the following discussion. As above, the area of concern is exposed by a surgeon using the appropriate technique and the drilling apparatus frame **202** is aligned such that it is vertical in an anteroposterior orientation and placed as far midline as possible on the anterior aspect of the vertebrae across the operative level. The pointed ends of the nail members **206** are then driven through the platform frame **202** and the first path guards **204** so as to be driven into the vertebral cortex to hold the frame in place while cutting the channel or through aperture. See FIG. 15A-B.

The pivot arm assembly **300** is then secured to the frame **202** and thereby also securing the drill assembly to the frame. The drive motor **20** also is coupled to the drill assembly **300** via the adapter **414** See FIG. 15C. The pivot arm **302** is then rotated until the drill bit **410** and the pivot arm are in the start position, whereat the drill motor **20** is started. See FIG. 15D. The pivot arm is rotated so as to cause the drill bit to travel in a downward circular path thereby making cuts in the vertebral body. In the case where, the first cut does not cut a complete channel or through aperture, the pivot arm assembly is detached from the frame, flipped, reconnected to the frame and the cutting process described above is repeated until the rest of the channel or through aperture has been cut. See FIGS. 15D-F.

There is shown in FIG. 15I, a illustrative view of adjacent vertebral bodies with the drilling apparatus **100** of the present

invention mounted thereon. As illustrated, the arrangement of the drilling apparatus **100** of the present invention is such that the drilling bit follows a fixed path established by the configuration of the drilling apparatus **100**. In this way, a maximum or fixed cutting depth also is set or established by the configuration of the drilling apparatus **100**.

After the complete channel or through aperture is cut in the adjacent vertebral bodies, the pivot arm assembly **300** and the drill assembly **400** are detached from the frame **202** and the nail members **206** are removed from the vertebral bodies and the frame or platform assembly **200** is removed from the operative site. As indicated herein, removal of the nail members **206** can be accomplished using the nail member removal device **500** of the present invention. The above process yields a channel opening or through aperture in both vertebral bodies that can accept the curved rod **800**. See FIGS. 15G-H.

It should be recognized that it is within the scope of the present invention to cut a channel through or partially through one of the vertebral bodies. Thus, the foregoing process is adaptable for accomplishing this by limiting rotational movement such that a channel is not cut completely through one of the vertebral bodies.

Now with reference to FIGS. 16A-C there is shown the process for placing, positioning and attaching or implanting a curved rod **800**, including those described in any of U.S. Pat. Nos. 6,607,530 and 6,923,811. The curved rod **800** is inserted into the channel and manipulated so that the curved rod is submerged along the midline of the vertebra (see FIGS. 16A-B). The curved rod **800** is now secured to the vertebral bodies using interlocking screws **804** that traverse the rod and penetrate the vertebra at an angle that will avoid sensitive neurologic structures. The screws hold the curved rod **800** in place and stabilize the motion segment to facilitate healing of the bone within the disc space.

Two end screws **804** are passed through the open ends of the curved rod and each is inserted until the screw head is contained within the hollow of the implant. The screws are inserted using for example a Cardan screwdriver **806**.

It should be recognized, and as taught in any of U.S. Pat. Nos. 6,607,530 and 6,923,811, that the curved rods **800** can be configured so as to include fenestration or surface artifacts that secure the curved rod within the channel without the retaining screws **804** are described above or in addition to such retaining screws.

As indicated herein, the drilling apparatus of the present invention is adaptable for use in a wide range of spinal repair procedures including but not limited to a repair procedure for an intervertebral disk **5** (FIG. 19A,B). Although the following discussion refers to the drilling apparatus **100** according to one aspect/embodiment of the present invention, it is contemplated that any of the drilling apparatuses herein described are adaptable for use to perform such a disk repair procedure. Also, it is contemplated that a disk repair procedure according to the present invention also can be accomplished using any of the devices, apparatuses or mechanisms described in and as taught in any of U.S. Pat. Nos. 6,607,530 and 6,923,811.

Referring now to FIGS. 19A-B, there is shown a drilling apparatus **100** mounted/secured upon a spine, more specifically adjacent vertebrae **2**, Step **2000**. Such mounting and securing is accomplished using the methods and techniques for doing so as described herein. Reference shall be made to FIGS. 1-9 and the discussion related thereto, for further details of the drilling apparatus not provided below. Reference also should be made to the process flow diagram illustrated in FIG. 20.

In further embodiments, the drill bit **410** of the drilling apparatus **100** and related components are selected so that the

channel, passage or hole **3** in the adjacent vertebrae **2** is sized so as to provide a desired access to the nucleus for carrying out the repair procedure. For example, the hole **3** may be one size if a fluid or gel is to be injected into the nucleus, whereas it may be made larger if a prosthetic or device is to be inserted through the hole so as to reside in the area within the annulus for the disk nucleus.

After the drilling apparatus **100** is so mounted, the surgeon manipulates the drill bit so as to cause it to rotate and create a curved or arcuate hole **3** in the adjacent vertebrae and into the disk **5**, Step **2002**. Such a drilling operation advantageously minimizes penetration of the vertebral endplates. Also, the drill as it follows the predetermined curved or arcuate path penetrates the vertebral end plates at essentially a right angle, thereby creating a circular defect. In contrast, the straight drill used in conventional techniques would penetrate the end plate at an angle thereby causing a larger elliptical shaped defect. The near perpendicular access created by the drilling apparatus of the present invention also minimizes trauma and/or disruption to the natural nucleus material. In contrast, a straight drill would need to penetrate more deeply into the disc space to complete the access hole.

In this regard it should be noted that while it is desirable to penetrate the nucleus of the disk, it should be recognized that it is possible that a portion of the annulus also may be drilled during the drilling procedure. Such an occurrence, however, shall not be construed as being unacceptable or outside the scope of the present invention.

Following creating of the hole, the drill bit **410** is extracted or removed from the hole **3** thereby allowing the surgeon access to the hole and thus the nucleus of the disk to be repaired. In particular embodiments, the surgeon removes the drilling apparatus **100** so as to provide clear access to the opening formed by the hole **3**, Step **2004**. Thereafter, the surgeon performs the particulars of the disk repair/replacing/augmentation procedure, such as but not limited to removing nucleus material (Step **2006**), delivery of the nucleus augmentation material, artificial disk and/or artificial nucleus (Step **2008**) and plugging of the channel, passage or hole **3** made in the adjacent vertebrae **2** (Step **2010**). The nucleus material can be removed using any of a number of techniques known to those skilled in the art including but not limited to water jets, chemical agents such as Chymopapain chemonucleolysis, rongers and emulsification technology.

Such augmentation material includes but is not limited to the devices, mechanisms and materials described in U.S. Pat. Nos. 5,824,093, 6,264,695 and 5,047,055 the teachings of which are herein incorporated by reference. Also, such delivery of the nucleus augmentation material, as well as such repair procedures, can include delivery and positioning of an annulus closure mechanism or device to seal or retain the artificial disc, nucleus and/or nucleus augmentation material or provide a closure for a defect in the annulus, such as but not limited to the devices described in U.S. Pat. Nos. 6,425,919 and 6,593,625, the teaching of which are incorporated herein by reference. As is known to those skilled in the art, when the annulus becomes damaged a defect is formed in the annulus that allows the nucleus for example, to cause the disk to bulge in a given direction. In addition, to delivery of nucleus or annulus repair and augmentation materials, it also is contemplated that drugs, medicaments, or other treatment materials can be delivered to the disk **5**, vertebrae **2** or other element of the body.

The plugging of the hole **3** is accomplished using any of a number of techniques known to those skilled in the art, including but not limited to the use of bone/bone graft material. It also is contemplated that an arcuate rod as herein

described also can be used to plug the hole **3**. Thus, the plugging of the hole **3** becomes a relatively straightforward procedure. Also, the plugging should advantageously create a relatively smooth surface at the end plate and the load forces on the vertebral end plate will be perpendicular to the access hole. Such plugging is particularly advantageous as compared to some conventional techniques as defects in the annulus do not heal; whereas defects in the bone (e.g., the vertebral body) can be plugged with bone, metal, etc. and the bone heals around the plug.

Referring now to FIGS. **21** and **22**, there is illustrated a drilling apparatus according to yet another embodiment/aspect of the present invention which has been designated generally by reference numeral **900**. The drilling apparatus **900** is adapted and configured for forming an arcuate channel in one or more segments of a bone, bony structure or adjacent vertebrae of a spine. The drilling apparatus includes, inter alia, a base member **910** which is positioned proximate to the bone, bony structure or adjacent vertebrae of a spine, a support arm **930**, an arcuate guide member **950** and a drill assembly **970**. The drilling apparatus **900** is designed such that it can be supported by a single bone, bony structure or vertebrae. Moreover, unlike prior drilling apparatuses, the drilling apparatus **900** can be adapted to extend to adjacent bone material or vertebrae so that an arcuate channel can be drilled therein.

The base member **910** has a distal surface **912** which is adapted to allow placement of the base member **910** proximal/adjacent to one of the bone, bony structure or vertebrae. The base member **910** can be manufactured from a variety of biocompatible materials, such as stainless steel. The material selected for the base member **910** should be of sufficient strength to provide non-movable support to the rest of the drilling apparatus **900** when the base member **910** is mechanically secured to the bone structure and when operation loads are applied to the system.

The support arm **930** extends in the proximal direction from the base member **910**. For reasons that will be discussed below, it is preferred that the support arm **930** is removably secured to the base member **910**; however, that should not be considered as limiting. Those skilled in the art will readily appreciate that a variety of mechanical mechanisms can be used to secure the support arm **930** to the base member **910** without departing from the scope of the present invention. The support arm **930** is formed in three segments; an upper segment **932**, a lower segment **934**, and an intermediate transition segment **936**.

The arcuate guide member **950** is slidably mounted to the lower segment **934** of the support arm **930**. In the embodiment illustrated in FIGS. **21** and **22**, the arcuate guide member **950** has a substantially U-shaped cross-section. Two guide rails **952** or arms extend from the bottom of the guide member **950**. Each guide rail **952** has an arcuate channel **954** formed therein which extends along its length and is dimensioned and configured for receiving the guide pins **938** associated with the lower segment **934** of the support arm **930**.

The drill assembly **970** is operatively coupled to the support arm **930** and includes a drill bit **972** attached to the distal end of a flexible drive cable **974**. The flexible drive cable **974** extends within the support arm **930** and is axially and rotationally movable with respect thereto. A drill connector **973** is provided on the proximal end of the flexible drive cable **974** for attaching to a conventional motor similar to those previously described. A stabilizer bearing **971** is positioned around the connector **973** to facilitate rotational movement of the connector **973** with respect to the support arm **930**. The drill bit **972** is operatively coupled to an end of the arcuate guide member **950** such that when the drill assembly **970** is moved

distally the arcuate guide member **950** slides with respect to the support arm **930** and forces the drill bit **972** to traverse an arcuate path as indicated by the arrow designated "P". The drill assembly **970** also includes a flexible outer housing **976** which surrounds the drive cable **974**, but allows the drive cable **974** to move/rotate freely therein.

A handle **980** is attached to the proximal end of the support arm **930** which allows the surgeon to grasp the drilling apparatus **900** with a single hand. An actuator mechanism **982** is also associated with the upper portion **932** of the support arm **930** and handle **980**. The actuator mechanism **982** includes an arm **984** which is mechanically engaged with a drive barrel **990** through a linkage assembly **986**. When the surgeon grabs the arm **984** of the actuator **982** and pulls it towards the handle **980** (indicated by the arrow designated "A"), the linkage assembly **986** exerts a downward force on the drive barrel **990**. The drive barrel **990** is operatively connected to the outer housing **976** of the drill assembly **970** through a bushing **978**. As a result, when a downward force is exerted on the drive barrel **990**, a downward force is also exerted on the outer housing **976**. Consequently, the drill assembly **970** is moved in a downward or distal direction between a first position, wherein the drill bit **972** is positioned outside of the bone, bony structure or vertebrae to a second position wherein the drill bit **972** is disposed within the bone, bony structure or vertebrae. In such embodiments, a biasing element is used to return the drill assembly **970** to the first position from the second position upon the completion of the drilling procedure.

The biasing element is any of a number of structures or devices known to those skilled in the art, that can cause the drill assembly **970** to return to the first position from the second position. For example, in illustrative exemplary embodiments the biasing element is a resilient member or structure **975** that is operably coupled to and between the handle **980** and the arm **984** of the actuator **982** such that when the surgeon grabs the actuator arm **984** and pulls it towards the handle the resilient structure/member is compressed. When the drilling procedure(s) is completed, the restoring force of the resilient structure/member **975** causes the actuator arm **984** to move away from the handle **980**, which in turn causes the drill assembly **970** to return to the first position from the second position.

In more particular embodiments, the resilient structure/member **975** is a spring that extends between and is operably coupled to the handle **980** and the actuator arm **984**. In another embodiment, the resilient structure/member **975** forms a hinge that is operably coupled to each of the handle **984** and the actuator arm **984**. The hinge includes a spring element that is compressed when the actuator arm moves towards the handle. In yet another embodiment, the resilient structure/member **975** comprises one or more leaf springs that are operably coupled to the actuator arm **984** and/or the handle **980** so as to be compressed when the actuator arm moves towards the handle. It should be recognized that is within the skill of those knowledgeable in the art to configure and arrange a resilient member/structure that extends when the actuator arm **984** moves towards the handle **980** to create a restoring force.

The base member **910** also includes a mechanism for adjusting the location of the support arm and/or first position of the drill assembly with respect to the base member **910**. In the embodiment illustrated in FIGS. **21** and **22**, the mechanism for adjusting the lateral position of support arm is a plate **914**. The plate **914** includes at least two slotted holes through which mechanical connector secure the plate **914** to the rest of the base member. It is the slotted holes that allow the lateral position of the plate **914** and therefore, the support arm **930** to

be finely adjusted with respect to the rest of the base member. Additionally, plates with varying thickness can be used in conjunction with the plate **914** or in lieu of the plate **914** to adjust the height of the support arm **930** and the drill bit **972**.

Those skilled in the art will readily appreciate that other mechanism can be used to adjust the lateral or axial position of the drill assembly with respect to the material to be drilled into without departing from the inventive aspects of the present disclosure. For example, different shape and size support arms can be used to vary the first position of the drill bit. Moreover, the intermediate transition segment **936** of the support arm can include a linkage assembly or extension that allows for both lateral and axial adjustment of the location of the drill bit. It should be noted that depending on the magnitude of such an adjustment, an arcuate guide member having a different length and/or radius may be required.

As discussed with respect to the previously described drilling assemblies, the base member **910** can be mechanically attached to the bone using several techniques, such as nails or screws. Additionally, the base member **910** can include a plurality of through apertures formed therein which are configured and arranged so portions thereof proximal an exit of each of the plurality of through apertures contact at least a portion of a surface of the one of the bone, bony structure or vertebra so as to form an enclosed pathway from a top surface of the base to the surface of the one of the bone, bony structure or vertebra. Moreover, the base member **910** can include a soft conformable material on the distal surface **912** thereof to effect a seal against the surface of the bone, bony structure or vertebrae.

FIGS. **23-26** illustrate a method of use for the drilling apparatus **900**. Referring now to these figures, the drilling apparatus **900** is positioned in a anterior approach and proximal to the drilling or surgical site. The base member **910** is secured to one segment of the bone or bony structure or adjacent vertebra using the previously described techniques. The surgeon grabs the arm **984** of the actuator **982** and squeeze it towards the handle **980**. The linkage assembly **986** exerts a downward force on the drive barrel **990**, bushing **978** and drilling assembly **970**. As a result, the drill assembly **970** is moved distally causing the arcuate guide member **950**, which is operatively connected to the drill bit **972**, to slide with respect to the support arm **930**, forcing the drill bit **972** to traverse an arcuate path and form a channel in the surface or sub-surface of the bone, bony structure or vertebra.

If it is determined that only a partial channel in the bone material has been formed, the support arm **930** is detached from the base member **910**, rotated 180 degrees and re-attached to the base member **910** such that the arcuate guide member **950** and the drill bit **972** are moveable in a second direction which opposes the first cutting direction.

It should be recognized that an advantage of the present invention is that drilling apparatus **900** can be sized, adapted and configured to ensure that it is impossible for the drill bit to come in contact with the spinal column. For example, the radius of guide member **950** can be selected such that the depth of the arcuate channel formed by the drilling operation is limited within an acceptable factor of safety to prevent any injury to the spinal column.

Those skilled in the art will readily appreciate that drilling apparatus **900** can be used in all of the aforementioned surgical procedures, such as to gain access to intravertebral disc space.

It should be recognized that the drilling apparatus, methods and systems of the present invention can be used anteriorly or posteriorly and so that the drill bit of such systems or apparatuses can penetrate or enter the vertebral body through

the pedicles. In a posterior approach, the drilling can be accomplished in a transpedicular fashion or in a translateral fashion, wherein the drill bit enters anterior of the pedicle on the vertebral body.

In one method, open surgery to the posterior portion of a selected vertebral body is performed to expose a pedicle. Using drill assembly **900** a small access hole can be drilled into the pedicle and then onward through the marrow of the vertebral body and into the superior endplate of the vertebral body. The drill could then be rotated to perform a similar procedure on the inferior endplate. In such applications, arcuate channels would preferably be formed on both sides of the spine and curved rods inserted into each of the channels.

In another method of the present invention, a drill assembly **900** is situated on the posterior aspect of the spine. For example, there is shown in FIG. **27**, a drill assembly on the pedicle of the posterior column, however the drill could also be seated on the trans-lateral aspect which is a common approach for interbody fusion (trans-lateral interbody fusion (TLIF)). When situated on the pedicle, the method would further include preparation of the pedicle, so that the arc of the drill will translate to the inner portion of the disc space. Once the pedicle of the spine is prepared, the drill is attached to the spine and an arc is created through the adjacent vertebral bodies in the same way as has been described in FIGS. **23-26**.

Although a preferred embodiment of the invention has been described using specific terms, such description is for illustrative purposes only, and it is to be understood that changes and variations may be made without departing from the spirit or scope of the following claims.

#### INCORPORATION BY REFERENCE

All patents, published patent applications, U.S. patent application and other references disclosed herein are hereby expressly incorporated by reference in their entireties by reference.

#### EQUIVALENTS

Those skilled in the art will recognize, or be able to ascertain using no more than routine experimentation, many equivalents of the specific embodiments of the invention described herein. Such equivalents are intended to be encompassed by the following claims.

What is claimed is:

**1.** A method for forming a channel in one or more segments of a bony structure or adjacent vertebra of a spine, said method comprising the steps of:

positioning a frame assembly proximal the treatment or surgical site, the frame assembly including a base member, a support arm extending proximally from the base member, an arcuate guide member slidably mounted to the support arm; and a drill assembly operatively coupled to the support arm and including a drill bit; securing the frame assembly to one segment of the bone or bony structure or adjacent vertebra; and rotating a drill bit in fixed relation to the support arm of the frame assembly; moving the drill assembly distally relative to the base member and support arm so that the arcuate guide member slides with respect to the support arm and forces the drill bit to traverse an arcuate path to form the channel in the surface or sub-surface of the bone, bony structure or vertebra, wherein the arcuate guide member includes at least one guide rail defining an arcuate channel dimensioned and

29

configured for receiving a guide pin operatively associated with the support arm to slidably mount the arcuate guide member to the support arm.

2. The method of claim 1, wherein said securing further includes, mechanically engaging a securing mechanism to the frame assembly and to the adjacent segments of the bone or bony structure or adjacent vertebra, wherein the frame assembly is maintained in fixed relation by such mechanical engagement.

3. The method of claim 2, wherein the frame assembly is maintained in fixed relation by such mechanical engagement and lateral stiffness of the securing mechanism.

4. The method of claim 2, wherein the base member being provided further includes a plurality of through apertures, each through aperture including a constricted portion and a plurality of securing members and wherein said securing further includes:

driving each of the plurality of securing members through the through apertures and the constricted portion and into the bone, bony structure or vertebra at the site, whereby the base member is secured in fixed relation to the bone, bony segments or vertebra by the engagement of the constricted portion with the securing member.

5. The method of claim 1, further comprising the step of determining if the movement of the drill bit in a first direction formed one of a complete channel or a partial channel and in the case where it is determined that a partial channel was formed, detaching and re-attaching the support arm to the base member such that the arcuate guide member is moveable in a second direction that is different from the first direction and moving the drill bit in the second direction.

6. The method of claim 1, further comprising the steps of: locating an implant in the channel; and attaching the implant within the channel to the bone, bony structure or vertebrae.

7. The method of claim 6, wherein said attaching includes securing the implant to the bone, bony structure or vertebra using a plurality or more of securing devices.

8. A method for gaining access to the intervertebral disc space, said method comprising the steps of:

positioning a frame assembly proximal the treatment or surgical site, the frame assembly including a base member, a support arm extending proximally from the base member, an arcuate guide member slidably mounted to the support arm, and a drill assembly operatively coupled to the support arm and including a drill bit; securing the frame assembly to one segment of the bone or bony structure or adjacent vertebra;

rotating a drill bit in fixed relation to the support arm of the frame assembly; and

moving the drill assembly distally relative to the base member and support arm so that the arcuate guide mem-

30

ber slides with respect to the support arm and forces the drill bit to traverse an arcuate path to form the channel in the surface or sub-surface of the bone, bony structure or vertebra that communicates with the intervertebral disc space, wherein the arcuate guide member includes at least one guide rail defining an arcuate channel dimensioned and configured for receiving a guide pin operatively associated with the support arm to slidably mount the arcuate guide member to the support arm.

9. A method for augmenting the nucleus of a disk between vertebral endplates of adjacent vertebral bodies of a spine, said method comprising the steps of:

positioning a frame assembly proximal the adjacent vertebral bodies, the frame assembly including a base member, a support arm extending proximally from the base member, an arcuate guide member slidably mounted to the support arm, the arcuate guide member including at least one guide rail which defines an arcuate channel dimensioned and configured for receiving a guide pin operatively associated with the support arm to slidably mount the arcuate guide member to the support arm, and a drill assembly operatively coupled to the support arm and including a drill bit;

securing the base member of the frame assembly to a single vertebral body;

rotating a drill bit in fixed relation to the frame assembly; rotating a drill bit in fixed relation to the support arm of the frame assembly;

moving the drill assembly distally relative to the base member and support arm so that the arcuate guide member slides with respect to the support arm and forces the drill bit to traverse an arcuate path to form an arcuate preformed aperture in one of the adjacent vertebral bodies that extends through the vertebral endplate of the spine and into the nucleus of the disk;

inserting nucleus augmentation material through the preformed aperture and into the nucleus of the disk; and filling at least a portion of the preformed aperture with a non-compressible material.

10. The nucleus augmentation method of claim 9, wherein said inserting nuclear augmentation material includes inserting a nucleus prosthetic through the preformed aperture and into the nucleus.

11. The nucleus augmentation method of claim 9, further comprising the steps of:

inserting an annular closure mechanism through the preformed aperture; and

positioning the closure mechanism proximal the annulus defect, thereby closing the defect.

\* \* \* \* \*